

COTI

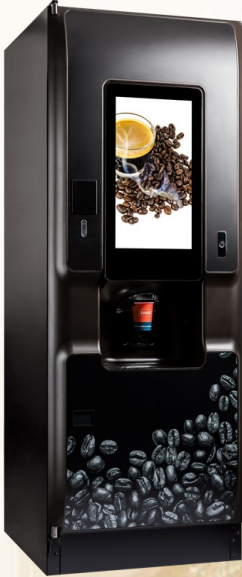
by CRANE

ICON

by CRANE

CALI

by CRANE



Parts Manual

Part Number: PR15954000

Issue: B - Jan 19

EC Declaration of Conformity

We Crane Merchandising Systems (UK),
Of Pipsmore Park, Bumpers Farm Industrial Estate,
Chippenham, Wiltshire, UK, SN14 6NQ

Declare that:

Type of Equipment: Beverage Vending Machine
Model Name: CALI, COTI & ICON

**Has been designed and manufactured to comply with all essential requirements of the following Regulations/
Directives:**

2006/95/EE	<u>The Low Voltage Directive</u> and its amending directives
2004/108/EEC	<u>The Electromagnetic Compatibility Directive</u> and its amending directives
2006/42/EC REG. (EC) 1935/2004 REG. (EC) 10/2011	<u>Machinery Directive</u> On materials and articles intended to come into contact with food relating to plastic materials and articles intended to come into contact with foodstuffs.

The Essential Requirements of the European regulations for CE marking application are:

1. Mechanical resistance and stability
2. Safety in case of fire
3. Hygiene, health and the environment
4. Safety in use
5. Protection against noise
6. Energy economy and heat retention

Tests have been performed by accredited certification bodies in accordance with the following specifications:

Low Voltage Directive:	EN 60335-1: 2002+A1: 2004+A11:2004+A12:2006+A2: 2006 +A13:2008 EN 60335-2-75: 2004+A1:2005+A11:2006+A2:2008+A12:2010
EMC Directive:	EN 55014-1:2006 +EN 55014+A1: 2009+A2: 2011 EN 55014-2:1997+A120 EN 61000-3-2:2006+A1/A2:200 EN 61000-3-3:2008 EN 61000-4-2:2009 EN 61000-4-3:2012 EN 61000-4-4:2004 EN 61000-4-5:2006 EN 61000-4-11:2010

With regard to hygiene for foodstuffs in location, the operator must comply with 852/2004/EEC which lays out the general and specific hygiene rules to ensure a high level of consumer protection with regard to food safety.



Gillian White
Vice President, General Manager Global Coffee

Date: 01/12/2018

Ordering Spare Parts



1. Each assembly breakdown on the following pages contains an item description and part number.
2. Determine part number(s) needed by referring to drawing of assembly.
3. Email the spares department using spares@cranems.co.uk including a call back number in the event there is a question regarding your order.
4. Specify shipping address and any timed delivery requirements.

For order or part price enquiries please call the Spares Department on **01249667321 option 1**

For spare part number enquiries please call **01249667321 option 2** or **01249667323 option 2**

Technical Support



For technical assistance please call our helpdesk on **01249667323 option 1** or email **technicalsupport@cranems.co.uk**.

Table of Contents

Spare Parts	
Exterior	5
Machine Interior	11
Interior Door	15
CALI User Interface.....	17
Interior Door (panels removed)	20
Payment System.....	25
Interior Canister View – Instant	29
Interior Canister View – Fresh brew	31
Interior Canister View – Espresso	29
Instant Canister Assembly.....	35
Fresh Brew Canister Assembly.....	37
Cup Drop Unit Assembly	39
Power Supply Assembly	41
Dispense Head Assembly	43
Mixing System.....	45
Heater Tank Assembly	47
Oltre Brewer	49
CoEx® Brewer	51
CoEx® Module Assembly	53
Stainless Steel Pressure Boiler Assembly	59
Old Style Pressure Boiler Assembly.....	61
Extract System	63
Waste Bucket.....	64
Still Cold Unit	65
Carbonated Cold Unit.....	67
Additional Refrigeration Components	69
Fixings & Fasteners	71
Telemetry and Radio Parts.....	73

CALI Exterior View



CALI Exterior View Parts List

Ref No.	Part No.	Item Description
1	MT13053290	TOP HINGE
2	PL13120000	DOOR MOULDING
3	a. GR15778000	WFM & CARD READER UPPER GRAPHIC
	b. GR15779000	WFM, CARD & CASHLESS UPPER GRAPHIC
4	MA15908000	USER INTERFACE (UI) ASSEMBLY
5	EL15792000	DISPLAY
6	CASHLESS SYSTEMS	SEE PAGE 25
7	ME13150000	CHROME T DOOR HANDLE
8	a. ME03200000	LOCK ASSEMBLY
	b. ME03274000	3704 KEY
9	CR0012773	COIN INSERT
10	PL13121000	CUP BEZEL SURROUND
11	a. PL13123000	CUP STAND
	b. PL13122000	CUP STAND BRACKET
12	PL13133000	DRIP TRAY GRILL
13	GR15773000	LOWER GRAPHIC
14	a. PL13140000	COIN RETURN CUP FLAP
	b. PL13138000	L/H COIN RETURN MOULDING (not shown)
	c. PL13139000	R/H COIN RETURN MOULDING (not shown)
15	ME13124000	LOWER DOOR HINGE
16	ME13244000	FOOT
17	a. MT13239290	FRONT KICK PLATE
	b. FA04431000	M5x10MM TAPTITE SCREW (used to secure kick plate) (not shown)

COTI Exterior View



COTI Exterior View Parts List

Ref No.	Part No.	Item Description
1	MT13053290	TOP HINGE
2	PL13120000	DOOR MOULDING
3	a. GR15778000	WFM & CARD READER UPPER GRAPHIC
	b. GR15779000	WFM, CARD & CASHLESS UPPER GRAPHIC
4	PA15154000	21.5" TOUCH SCREEN
5	PA13166000	COMPLETE LIGHT PIPE ASSEMBLY
6	CASHLESS SYSTEMS	SEE PAGE 25
7	ME13150000	CHROME T DOOR HANDLE
8	a. ME03200000	LOCK ASSEMBLY
	b. ME03274000	3704 KEY
9	CR0012773	CR0012773
10	PL13121000	CUP BEZEL SURROUND
11	a. PL13123000	CUP STAND
	b. PL13122000	CUP STAND BRACKET
12	PL13133000	DRIP TRAY GRILL
13	GR15773000	LOWER GRAPHIC
14	a. PL13140000	COIN RETURN CUP FLAP
	b. PA15132000	COIN RETURN BOWL ASSEMBLY (not shown)
15	ME13124000	LOWER DOOR HINGE
16	ME13244000	FOOT
17	a. MT13239290	FRONT KICK PLATE
	b. FA04431000	M5x10MM TAPTITE SCREW (used to secure kick plate) (not shown)

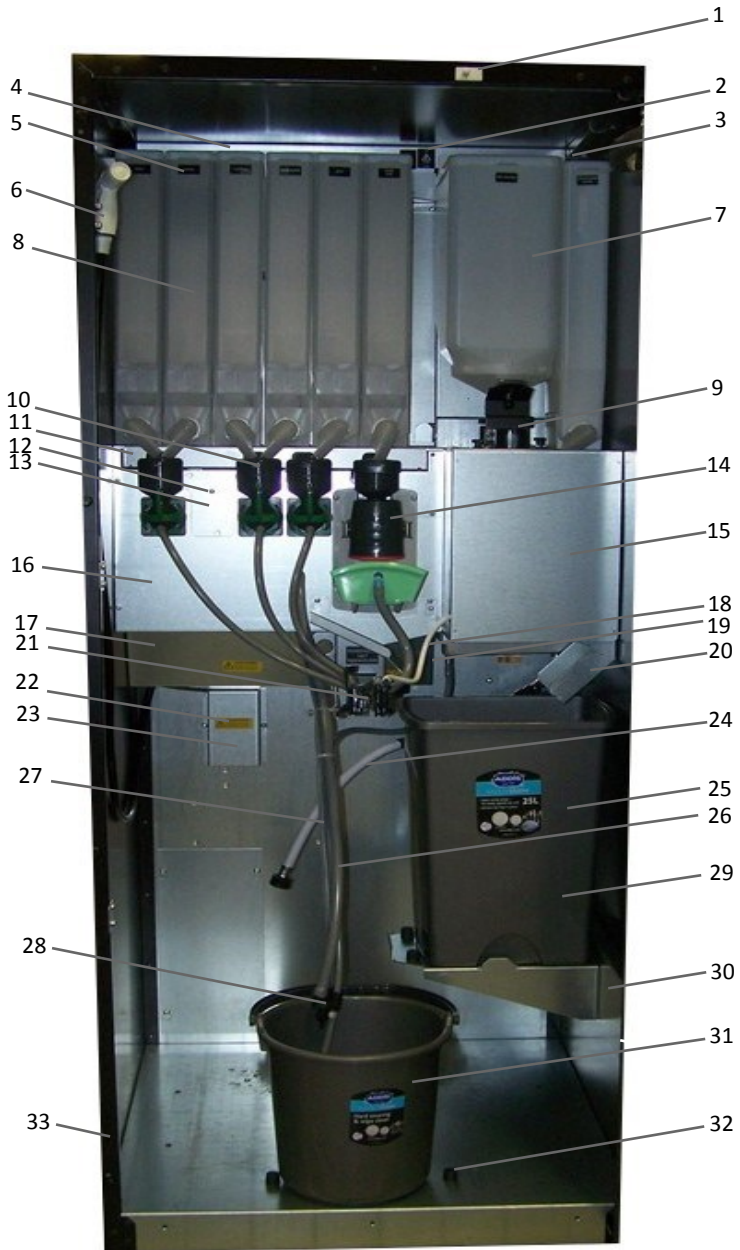
ICON Exterior View



ICON Exterior View Parts List

Ref No.	Part No.	Item Description
1	MT13868290	TOP HINGE
2	GR15730000	PRINTED GLASS
3	ME15704000	21.5" MEDIA SCREEN
4	EL15792000	5" DISPLAY
5	a. PR15814000	MENU DECAL UK S01
	b. PR15815000	MENU DECAL UK E05
	c. PR15816000	MENU DECAL UK E18
6	a. PL14794000	PLASTIC BLANKING PANEL
	b. PL14578000	BLANKING PANEL BEZEL
	c. MT14795290	FREE VEND BACKING PLATE
7	PAYMENT SYSTEMS	SEE PAGE 27
8	CR0012773	COIN INSERT
9	ME03150000	CHROME T-HANDLE
10	ME03200000	LOCK FOR T HANDLE c/w 2 KEYS 3704
11	PL13775000	VEND AREA
12	a) PL04589000	CUP STAND
	b) MT13975280	CUP STAND BRACKET
13	PL10274000	DRIP TRAY GRILL
14	a) PL13140000	COIN FLAP
	b) GR13141000	COIN FLAP GRAPHIC
15	a) ME13222000	LOWER HINGE ASSEMBLY (not shown)
	b) FA13869000	BOLT M8x40 (Torx bit size TT40) (not shown)
	c) C4242145	LOWER HINGE THRUSH BEARING (not shown)
16	MT13239290	FRONT KICK PLATE
17	ME13244000	FOOT

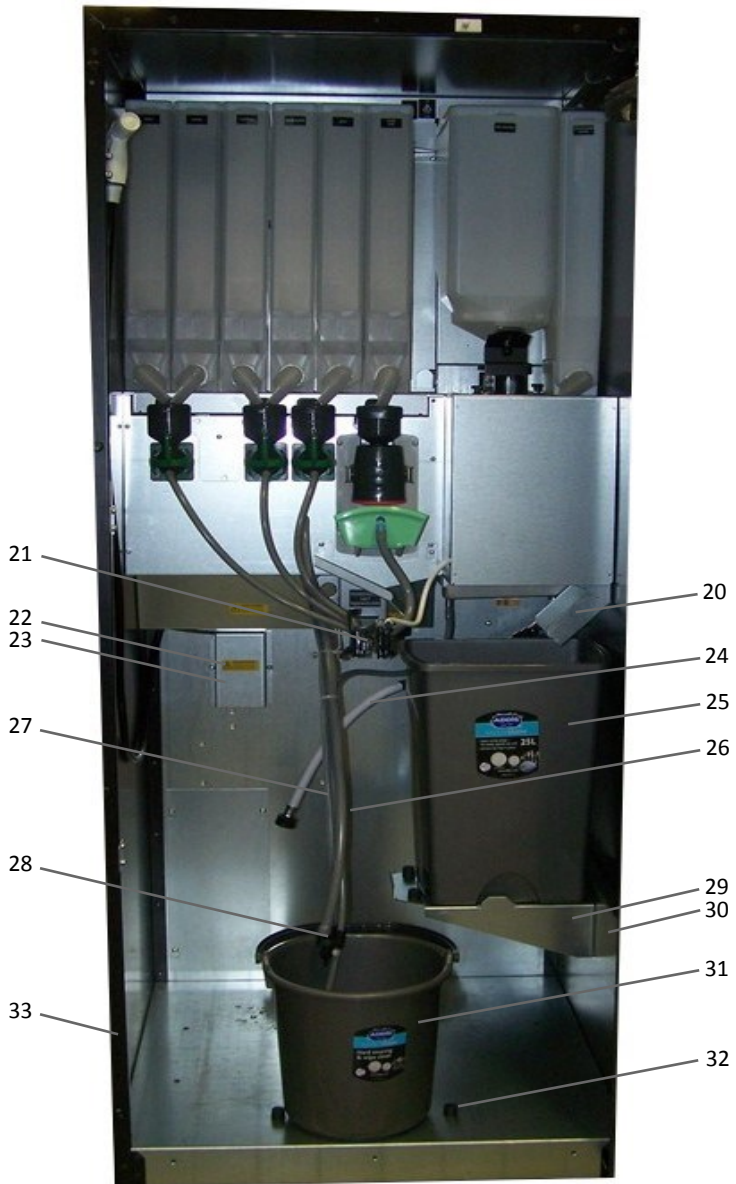
Interior View



Interior View Parts List

Ref No.	Part No.	Item Description
1	C1236050	SWITCH
2	EL13317000	POWER SWITCH
3	a) MT10662000	R/H BOILER COVER (B2C machines)
	b) MT13763000	R/H BOILER COVER (fresh brew/instant)
4	MT13897000	L/H BOILER COVER
5	a. PR13330000	PART OF MACHINE DECAL SHEET UK
	b. PR13333000	PART OF MACHINE DECAL SHEET FRENCH
	c. PR10987001	PART OF MACHINE DECAL SHEET GERMAN
6	a. PH03674001	SPRAY HEAD ASSEMBLY C/W HOSE
	b. MT11976290	SPRAY HEAD SUPPORT BRACKET
7	PL10792000	BEAN CANISTER
8	SEE PAGE 23	INSTANT CANISTER
9	SEE PAGE 39	CO-EX MODULE
10	SEE PAGE 33	MIXING SYSTEM
11	a. MT15007340	L/H EXTRACT TRAY (4 hole)
	b. MT15006340	L/H EXTRACT TRAY CO-EX (5 hole)
	c. MT13755340	L/H EXTRACT TRAY FRESH BREW (5 hole)
12	FA10807000	M4X10 POZIPAN SCREW
13	MT13766000	WHIP/BOWL BLANKING PLATE
14	SEE PAGE 45	OLTRE BREWER ASSEMBLY
15	MT10847000	ESPRESSO MODULE FRONT COVER
16	MT15002000	L/H MODULE FRONT PANEL
17	MT13038000	L/H LOWER COVER
18	SI10538000	4MM SILICONE PIPE
19	MT13284000	LOWER RIGHT HAND COVER

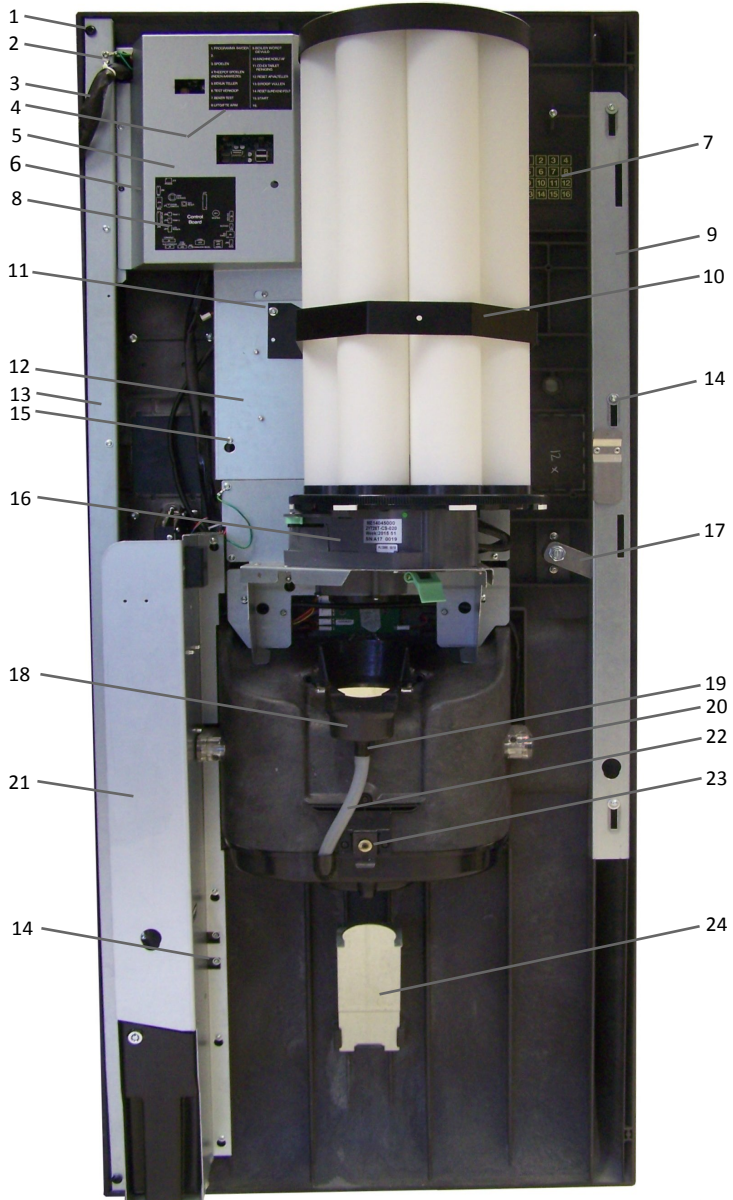
Interior View Continued



Interior View Parts List Continued

Ref No.	Part No.	Item Description
20	MT13323000	LONG COEX SIDE TRAY
21	SEE PAGE 31	DISPENSE HEAD ASSEMBLY
22	a. PR01225000	ELECTRICAL WARNING LABEL UK
	b. PR11282000	ELECTRICAL WARNING LABEL GERMAN
	c. PR11380000	ELECTRICAL WARNING LABEL FRENCH
23	a. MT13549000	6AMP FILTER COVER
	b. EL01155000	6AMP FILTER (not shown)
24	HO13228000	B2C INLET HOSE
25	PL06672000	FRESH BREW WASTE BUCKET
26	SI01142960	12mm SILICONE PIPE
27	SI04345960	6mm SILICONE PIPE
28	PA13590000	LEVEL PROBE ASSEMBLY
29	MT10739000	FRESH BREW TEA BUCKET STAND
30	MT13039000	BUCKET SUPPORT SIDE RAIL
31	PL01172000	BUCKET
32	FA14036000	BUCKET STOP
33	MT13230290	CAB ASSEMBLY
	VA11337000	INLET VALVE (HOT ONLY MACHINES) (not shown)
	VA10769000	INLET VALVE (HOT AND COLD MACHINES) (not shown)
	ME14486000	IMMERSION PUMP (not shown)

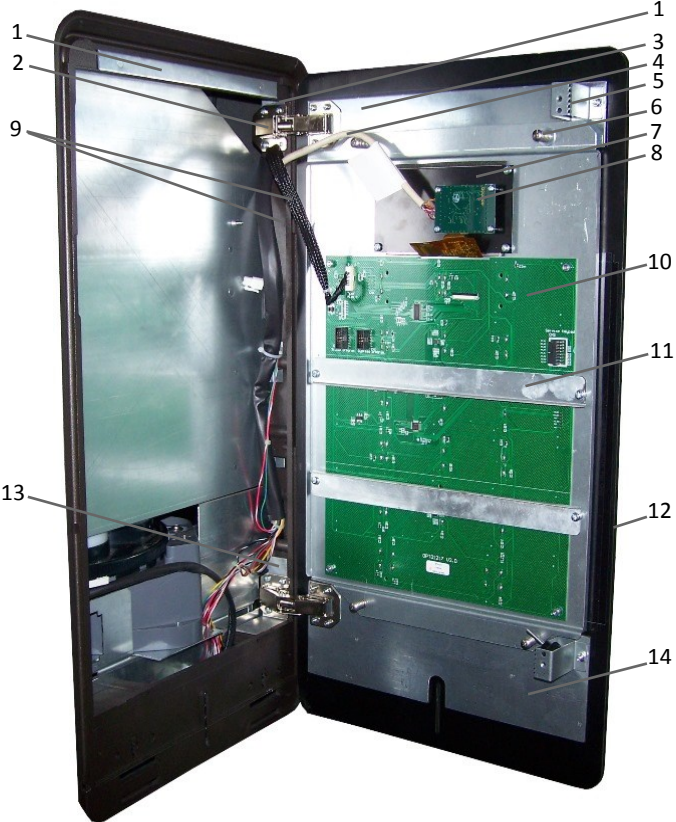
CALI & COTI Inner Door View



CALI & COTI Inner Door Parts List

Ref No.	Part No.	Item Description
1	FA13225000	M8x20 TORX SECURITY BOLT
2	LO15142000	EARTH BRAID
3	LO13108001	MAIN LOOM
4	a. PR13330000	PART OF MACHINE DECAL SHEET UK
	b. PR13333000	PART OF MACHINE DECAL SHEET FRENCH
5	EL15229000	ATLAS H CONTROL PCB
6	MT15173000	CONTROL BOARD COVER
7	EL10025002	SERVICE KEYPAD
8	a.PR15451000	CONTROL BOARD DECAL UK
	b. PR15453000	CONTROL BOARD DECAL FRENCH
	c. PR15455000	CONTROL BOARD DECAL GERMAN
9	MT15232000	LOCK BAR ASSEMBLY
10	a. MT14881290	TURRET STRAP 7/9oz
	b. MT14882290	TURRET STRAP 12oz
11	FA13305000	M5 NYLOC FLANGED NUT
12	MT15159000	DISPLAY COVER
13	MT15158000	DOOR HINGE PLATE
14	FA13086000	K50X20 SCREW
15	FA04415000	M4X10 SCREW
16	SEE PAGE 35	CUP DROP ASSEMBLY
17	MT10667000	DOOR LOCK CAM
18	a. PL13125000	70mm CUP CATCHER BLACK
	b. PL13126000	73mm CUP CATCHER GREY
	c. PL13128000	80mm CUP CATCHER BLACK
19	PL13147000	CUP CATCHER CLIP
20	a. EL13152000	CUP SENSOR PCB (pair)
	b. PL13134000	CUP SENSOR LENSE (pair)
	c. FA13304000	K40X10 SCREW (not shown)
21	SEE PAGE 15	PAYMENT SYSTEM
22	SI01142960	12mm SILICONE PIPE
23	FA13304000	K40X10 SCREW
24	MT11611290	DRIP CATCHER ARM

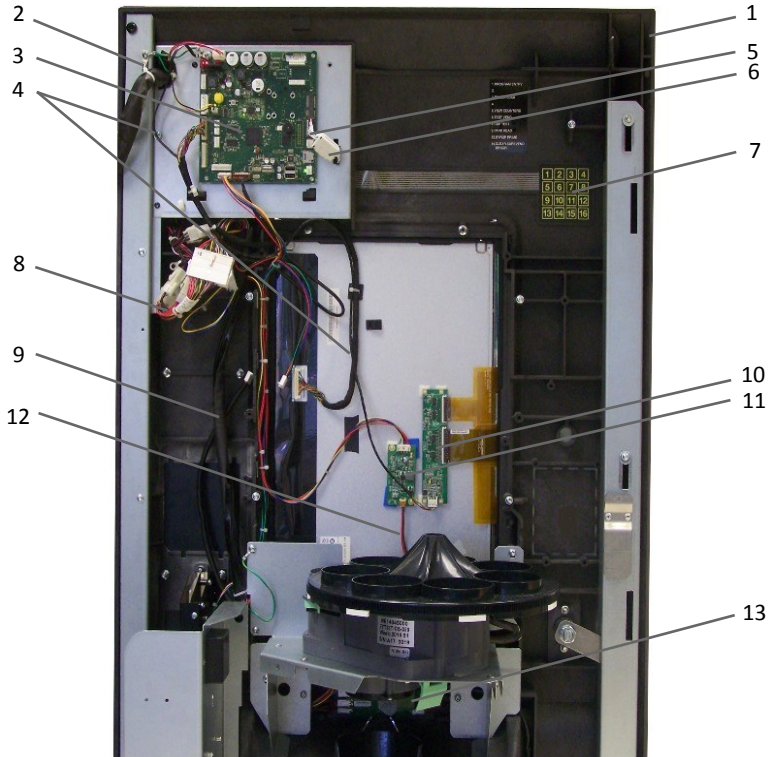
CALI User Interface (UI)



CALI USER INTERFACE (UI) Parts List

Ref No.	Part No.	Item Description
	MA15908000	USER INTERFACE (UI) ASSEMBLY (includes items below except 9 & 12)
1	MT15997000	TOP HINGE SUPPORT
2	ME15997000	HINGE
3	MT15904290	UPPER MTG BRACKET
4	LO15854000	LVDS-CAPSENSE LOOM
5	MT15995000	INTERFACE BRACKET
6	ME16337000	COMPRESSION SPRING
7a	MT15768290	DISPLAY SUPPORT PLATE
7b	EL15792000	DISPLAY (not shown)
7c	ME15785000	DISPLAY GASKET (not shown)
8	CR0030048	DAUGHTER BOARD
9	LO15333000	DOOR LOOM
10	EL15413001	TOUCH CONTROL PCB
11	MT15906000	UI BRACKET
12	MT15999000	BOTTM HINGE SUPPORT
13	GR15909000	PRINTED GLASS
14	MT15905290	LOWER MTG BRACKET

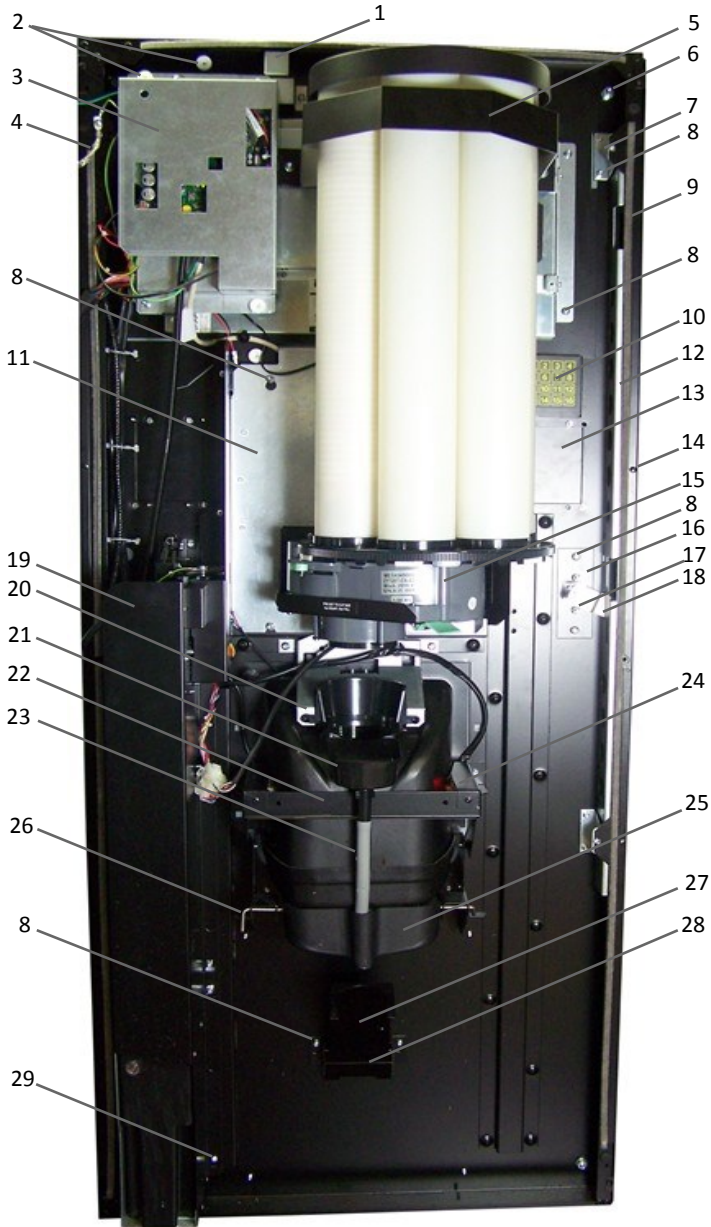
COTI Inner Door View Panels Removed



COTI Inner Door Panels Removed Parts List

Ref No.	Part No.	Item Description
1	PL13120370	DOOR MOULDING
2	LO13547000	CABINET EARTH LOOM
3	EL15229000	ATLAS H CONTROL BOARD (machine serial number required when placing order)
4	LO15394000	LVDS LOOM
5	LO14061000	SERVICE KEYPAD EXTENSION LOOM
6	EL15496000	FERRITE
7	EL10025002	SERVICE KEYPAD
8	LO15072000	JUMPER LOOM
9	LO15333000	DOOR LOOM
10	EL15396000	TOUCH SENSOR PCB
11	EL15393000	TOUCH SCREEN LED DRIVER PCB
12	LO15395000	SCREEN BACKLIGHT LOOM
13	EL15203000	LED/IRDA PCB

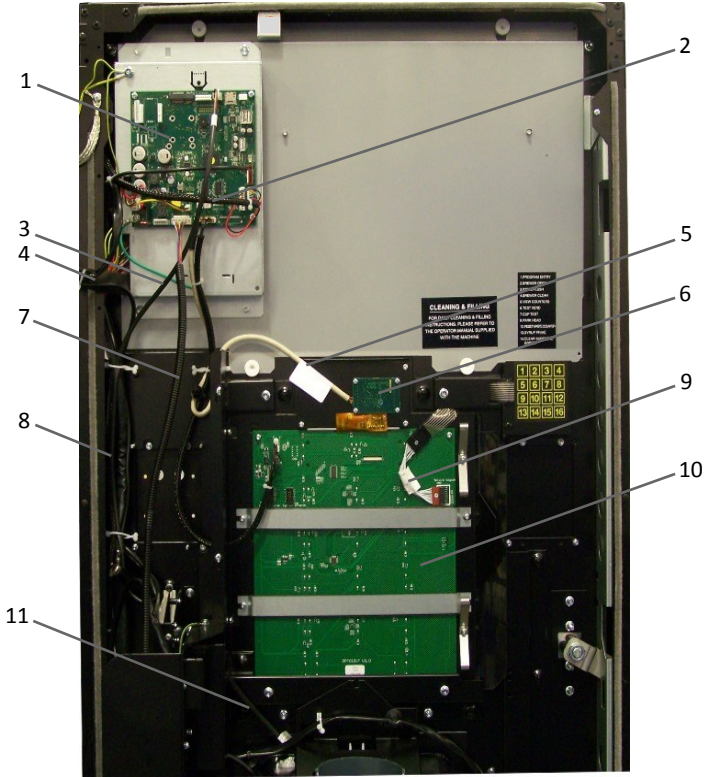
ICON Inner Door View



ICON Inner Door Parts List

Ref No.	Part No.	Item Description
1	MT14176000	DOORSWITCH ACTUATION BRACKET
2	FA01416000	M5 WHITE NYLON THUMB NUT
3	MT15090340	ATLAS G BOARD COVER
4	LO15142000	EARTH BRAID
5	MT14808290	TURRET STRAP
6	a. FA13838000	M8X20 CSK SOCKET SCREW
	b. FA3215000	M8 FORM A WASHER
	c. FA03126000	M8 SPRING WASHER
	d. FA03124000	M8 FULL NUT
7	MT15173000	LOCKBAR BRACKET
8	FA13305000	M5 FLANGED NYLOC NUT
9	ME04373000	GREY WEATHER STRIP (sold per meter)
10	EL10025002	SERVICE KEYPAD
11	MT1548000	CDU BRACKET
12	MT13805000	LOCKBAR
13	MT14795290	FREE VEND BLANKING PLATE
14	FA07905000	FIR TREE CLIP
15	ME14045000	CUP DROP UNIT (see page 39)
16	MT14928290	T HANDLE LOCK PLATE
17	FA10863000	M5x25mm CARRIAGE BOLT
18	MT14984000	LOCK CAM
19	PAYMENT SYSTEM	See page 27
20	MT14772291	CUP CATCHER ASSEMBLY
21	a. PL13125001	70mm CUP CATCHER BLACK
	b. PL13126000	73mm CUP CATCHER GREY
	c. PL13128000	80mm CUP CATCHER BLACK
22	MT13790290	VEND AREA RETAINER
23	SI01142960	12mm SILICONE PIPE (sold per meter)
24	a. EL13152000	CUP SENSOR PCB (pair)
	b. PL13134000	CUP SENSOR LENSE (pair)
	c. FA13304000	K40X10 SCREW (not shown)
25	PL13802000	DRIP TRAY
26	a. E04926000	SPRING CLIP
	b. ME01162000	SPRING
	c. FA01136000	5mm E CLIPS
27	MT14064290	DRIP CATCHER ARM
28	MT14065290	DRIP CATCHER PIVOT BRACKET
29	FA04431000	M5x10mm TAPTIGHT POZIPAN SCREW

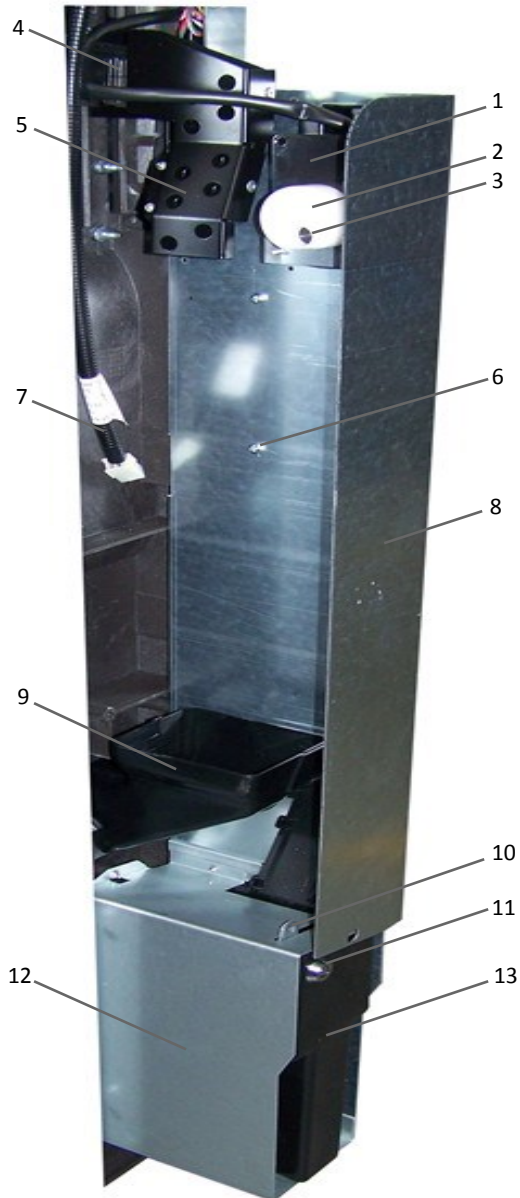
ICON Inner Door View Panels Removed



ICON Inner Door Panels Removed Parts List

Ref No.	Part No.	Item Description
1	EL15229000	ATLAS G BOARD (machine serial number required when placing order)
2	LO15801000	VEND AREA LOOM
3	C1679056	DEX LEAD
4	LO13108001	MAIN LOOM
5	LO15854000	LVDS LOOM
6	CR0030048	DAUGHTER BOARD
7	C9989706	MDB COIN MECH HARNESS
8	LO15333000	DOOR LOOM
9	LO14061000	SERVICE KEPAD EXTENSION
10	EL15413001	TOUCH CONTROL PCB
11	CR0014535	LED HARNESS
	LO15072000	JUMPER LOOM (Located behind Atlas boar) (not shown)

CALI & COTI Payment System view



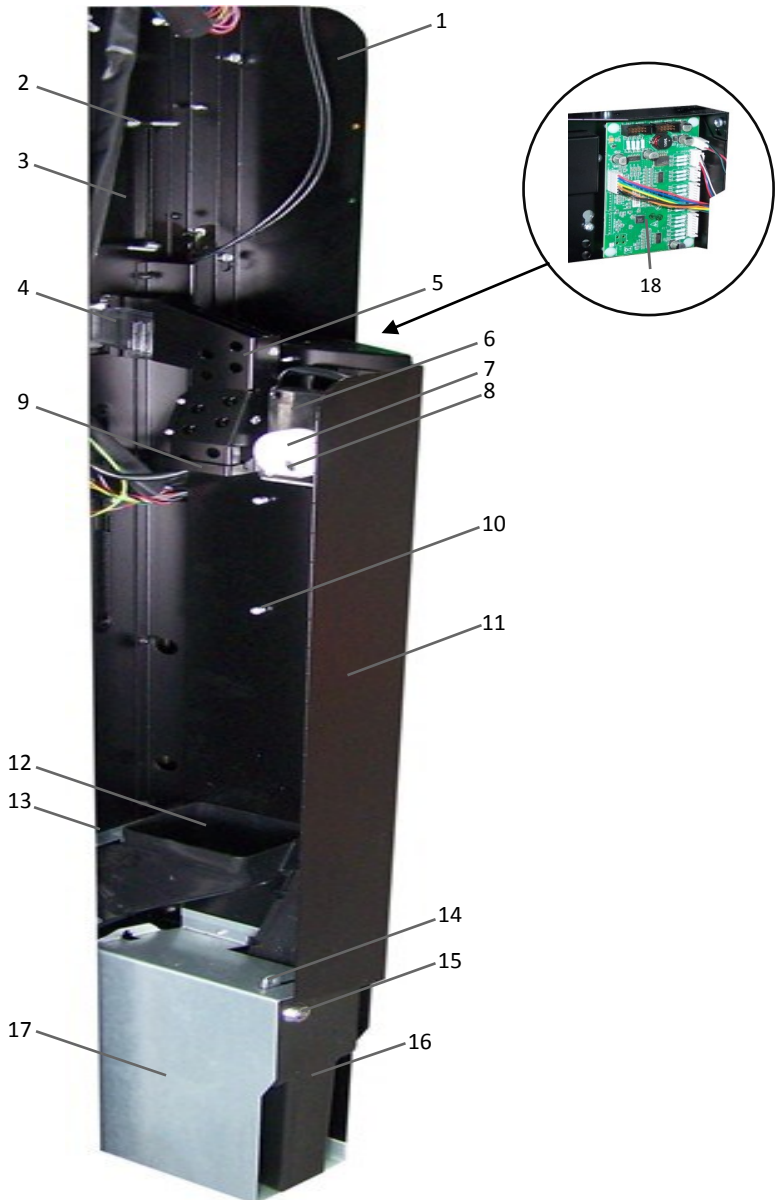
CALI & COTI Payment System Parts List

Ref No.	Part No.	Item Description
1	C1477112	COIN REJECT MOTOR
2	C1815028	COIN RETURN CAM
3	C4407712	MOTOR COUPLING
4	CR0012773	COIN INSERT CHUTE
5	a) MT14968290	COIN CHUTE BASE
	b) MT14967290	COIN CHUTE COVER
	c) MT14969290	COIN CHUTE MOUNTING BRACKET (not shown)
6	FA10807000	M4x10 TAPTITE POZIPAN SCREW
7	C9989706	MDB HARNESS
8	MT13087290	MONETARY PANEL
9	PA15132000	COIN REJECT/RETURN BOWL ASSWEMBLY
10	MT06635000	LOCK CAM
11	a) ME01859000	CASHBOX LOCK C/W 2 Keys
	b) ME03333000	CASHBOX KEY (key number 300245)
12	MT13088000	CASHBOX MOUNTING BRACKET
13	C1671090	CASHBOX

Note: Below kits are exclusive of payment devices but inclusive of all other parts required to change machines from free vend to the required payment system.

Part Number	Item Description	Mounting Plate Only
ZZabar wfm mdbt	FREE VEND TO MDB PAYVEND KIT	
ACK EXEC	CALI & COTI EXEC COIN KIT	PARTS BREAKDOWN PAGE 69
ABPT MEI 41 WFM	MEI 4 IN 1 + MDB COIN MECH KIT	MT15257290
ABPT MM6 WFM	MICROTRONIC + MDB COIN MECH KIT	MT15259290
ABPT NAYAX WFM	NAYAX + MDB COIN MECH KIT	MT15253290
ACP MEIP BV WFM	MEI-PAY BILL.VALIDATOR & WFM	
ACP WFM BV	GUSTO WFM+BILL VALIDATOR	

ICON Payment System view



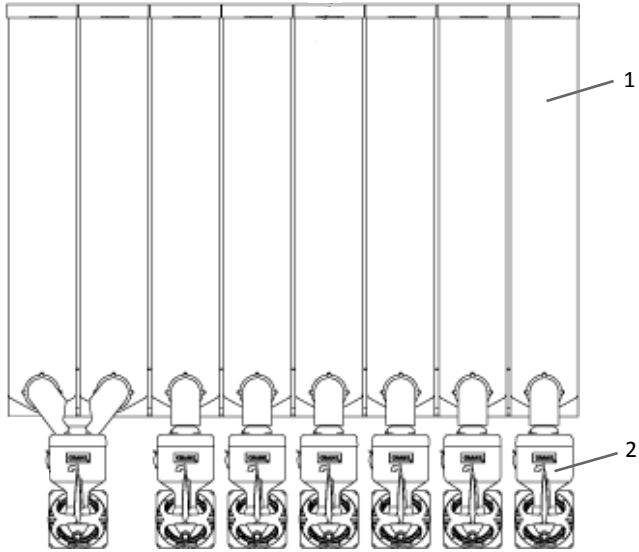
ICON Payment System Parts List

Ref No.	Part No.	Item Description
1	MT14007290	LED DRIVER COVER
2	FA01508000	M5 HEX FULL NUT
3	MT14795290	FREE VEND BLANKING PLATE
4	CR0012773	COIN INSERT CHUTE
5	a. MT14968290	COIN CHUTE BASE
	b. MT14967290	COIN CHUTE COVER
	c. MT14969290	COIN CHUTE MOUNTING BRACKET
6	a. C1477112	COIN REJECT MOTOR
	b. MT13090000	REJECT MOTOR MOUNTING BRACKET
	c. MT13087290	COIN REJECT MOTOR COVER (not shown)
7	C1815028	COIN RETURN CAM
8	C4407712	MOTOR COUPLING
9	MT14489290	COIN CHUTE SHROUD ASSEMBLY
10	FA10807000	M4x10mmTAPTITE PIZIPAN SCREW
11	MT1509290	MONETARY PANEL
12	a. PL13139000	COIN RETURN CHUTE L/H
	b. PL13139000	COIN RETURN CHUTE R/H
13	MT13792000	COIN RETURN MOUNTING BRACKET
14	MT06635000	LOCK CAM
15	a. ME01859000	CASHBOX LOCK C/W 2 KEYS
	b. ME03333000	CASHBOX KEY (key number 300245)
16	C1671090	CASHBOX
17	MT13088000	CASHBOX MOUNTING BRACKET
18	CR0028660	LED PCB

Note: Below kits are exclusive of payment devices but inclusive of all other parts required to change machines from free vend to the required payment system.

Part Number	Item Description	Mounting Plate Only
IC WFM	FREE VEND TO MDB PAYVEND KIT	
ICK EXEC	EXEC PAYMENT CONVERSION KIT	PARTS BREAKDOWN PAGE 71
ICP BILLV WFM	BILL VALIDATA & MDB PAYMENT KIT	MT14796290 & PL14578000
ICP MEI 4 1 WFM	MEI 4 IN 1 & MDB PAYMENT KIT	MT14796290 & PL14578000
ICP ZIP WFM	ZIP & MDB PAYMENT KIT	MT14802290
ICP MIZIP KW	MIZIP KEY & MDB PAYMENT KIT	MT14800290
ICP NAYAX WFM	NAYAX & MDB PAYMENT KIT	MT14856290
ICP VMC WFM	VMX & MDB PAYMENT KIT	MT14806290

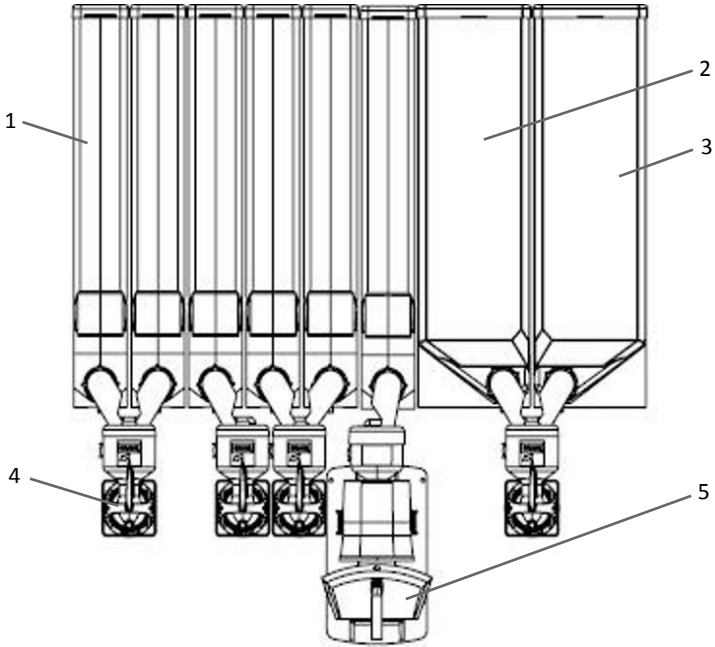
Instant View



Instant Parts List

Ref No.	Part No.	Item Description
1	SEE PAGE 31	INSTANT CANISTER ASSEMBLY
2	SEE PAGE 41	MIXING SYSTEM
	MO10152001	INGREDIENT MOTOR 24VDC 130RPM (not shown)
	PL13023000	INGREDIENT MOTOR SPIGOT (not shown)

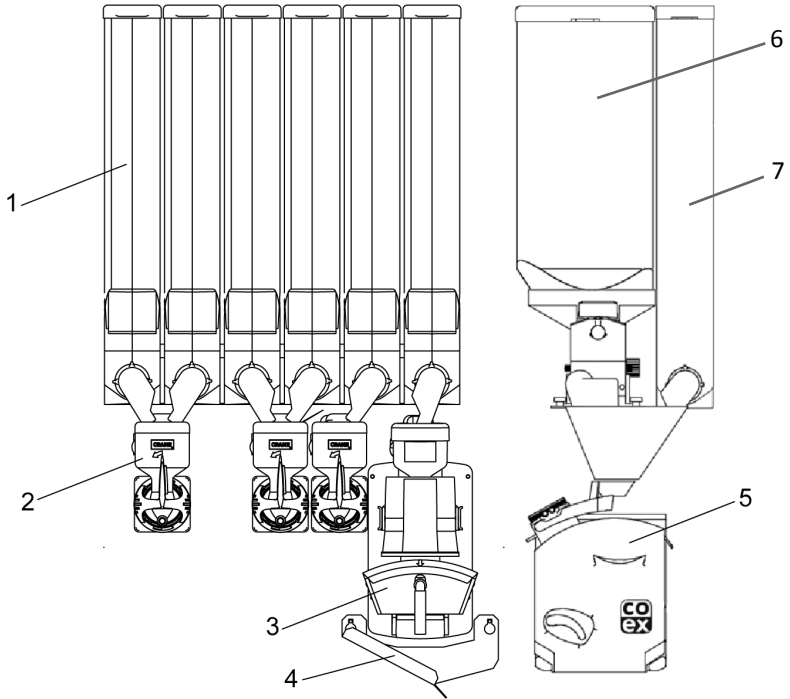
Single Fresh Brew View



Single Fresh Brew Parts List

Ref No.	Part No.	Item Description
1	SEE PAGE 35	INSTANT CANISTER ASSY
2	PL13717000 (SEE PAGE 37)	FRESH BREW CANISTER ASSEMBLY R/H
3	PL10821000 (SEE PAGE 37)	FRESH BREW CANISTER ASSEMBLY L/H
4	SEE PAGE 45	MIXING SYSTEM
5	SEE PAGE 49	OLTRE BREWER
	MT13740000	L/H WASTE CHUTE (not shown)
	MO10152001	INGREDIENT MOTOR 24VDC 130RPM (not shown)
	PL13023000	INGREDIENT MOTOR SPIGOT (not shown)

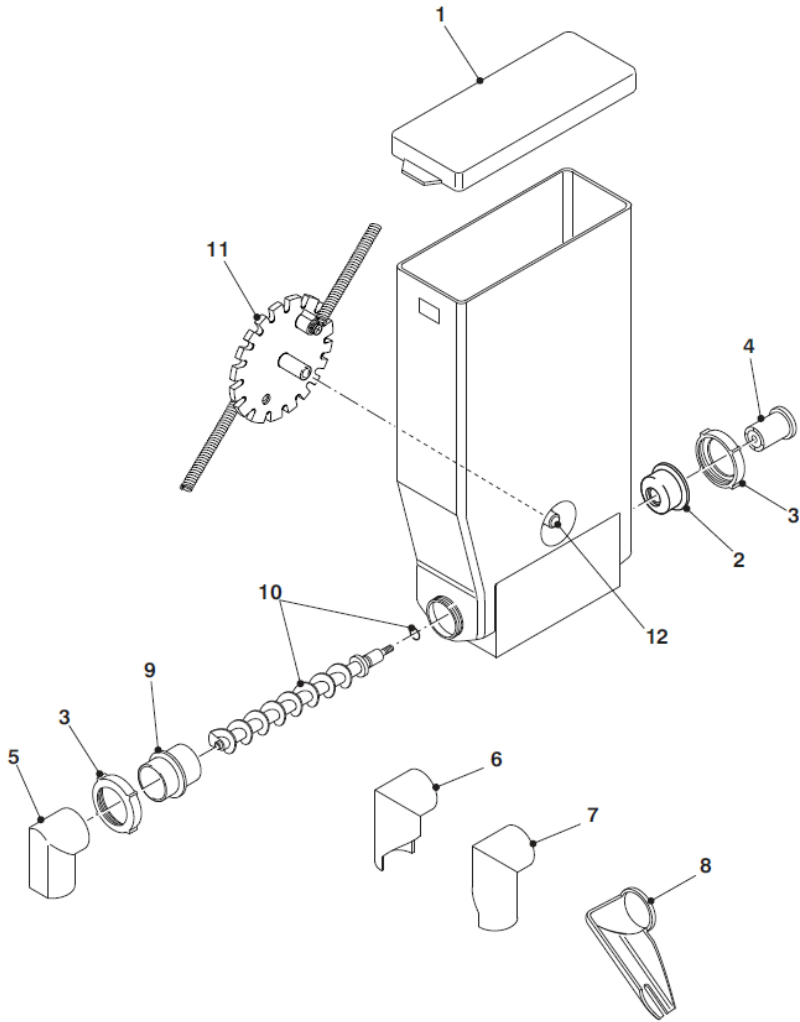
Espresso View



Espresso View Parts List

Ref No.	Part No.	Item Description
1	SEE PAGE 35	INSTANT CANISTER ASSY
2	SEE PAGE 45	MIXING SYSTEM
3	SEE PAGE 49	OLTRE BREWER
4	MT13740000	L/H WASTE CHUTE
5	SEE PAGE 51	CoEx® BREWER ASSY
6	SEE PAGE 55	BEAN CANISTER
7	SEE PAGE 55	FRESH BREW CANISTER
	MO10152001	INGREDIENT MOTOR 24VDC 130RPM (not shown)
	PL13023000	INGREDIENT MOTOR SPIGOT (not shown)

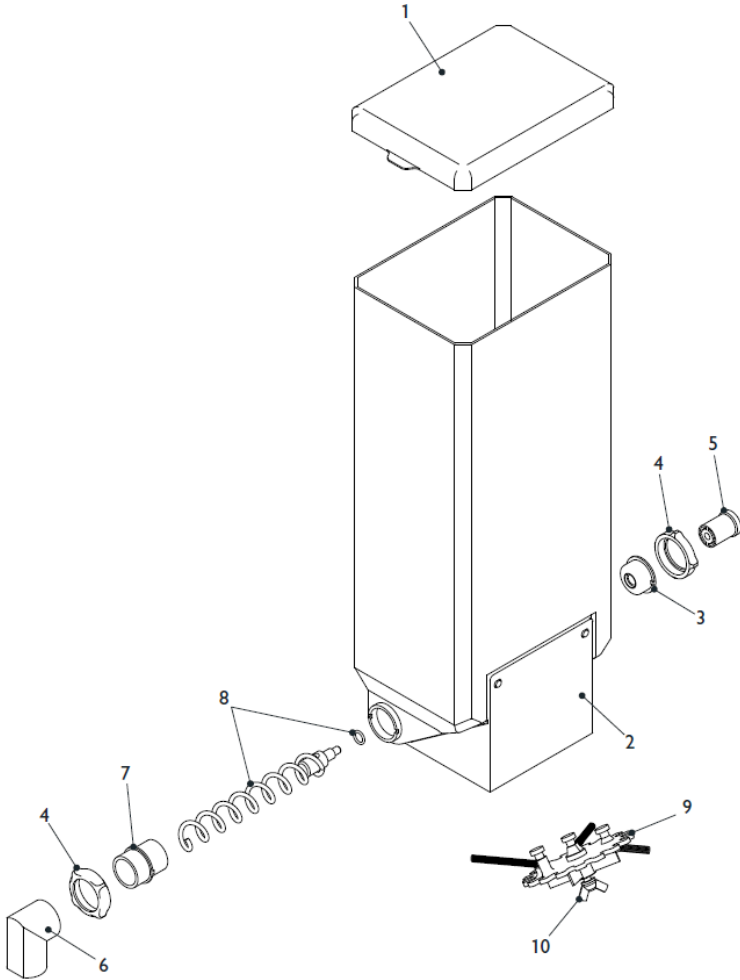
Instant Canister Assembly



Instant Canister Assembly Parts List

Ref No.	Part No.	Item Description
	PL11170000	67mm WIDE CANISTER C/W AGITATOR FRESH BREW/ INSTANT PLASTIC AUGER
	PL11608000	67mm WIDE CANISTER NO AGITATOR FRESH BREW/ INSTANT WIRE AUGER
	PL11172000	67mm WIDE CANISTER C/W AGITATOR STAINLESS STEEL AUGER
	PL12081000	67mm WIDE CANISTER C/W AGITATOR WIRE AUGER
	PL11880000	137mm WIDE CANISTER C/W AGITATOR AND STAINLESS STEEL AUGER—FRESH BREW
	PL11881000	42mm WIDE CANISTER C/W AGITATOR TEA/FRESHBREW
1	PL11179000	67mm WIDE CANISTER LID
2	PL10358000	REAR FLANGE
3	PL10356000	END CAP
4	PL02711000	CANISTER DRIVE
5	PL01128000	VENTRAL CANISTER CHUTE
6	PL01441000	L/H CANISTER CHUTE LONG
7	PL01442000	R/H CANISTER CHUTE LONG
8	PL10297001	TEA CANISTER EXTENDED CHUTE
9	PL10357000	FRONT FLANGE
10	a. ME02706000	PLASTIC AUGER C/W O RING
	b. SI02705000	O RING
11	PL02707000	AGITATOR WHEEL
12	PL11696000	CANISTER BUNG

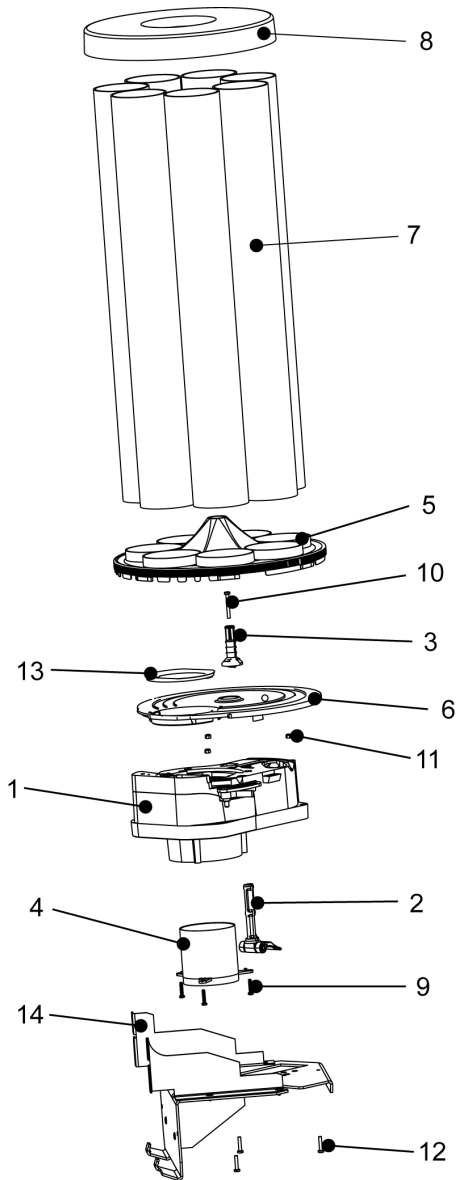
Fresh Brew Canister



Fresh Brew Canister Parts List

Ref No.	Part No.	Item Description
	PL10821000	137mm WIDE FRESH BREW TEA CANISTER PLASTIC AUGER
	PL13717000	137mm WIDE CANISTER, R/H OUTLET C/W AUGER AND AGITATOR
	PL14515000	137mm FRESH BREW COFFEE C/W ST/STL AUGER AND AGITATOR
	PL13971000	67mm WIDE FRESH BREW COFFEE CANISTER C/W ST/STL SOLID AUGER AND AGITATOR
	PL01923000	160mm FRESH BREW COFFEE CANISTER C/W ST/ STL AUGER AND WIRE WHIP
1	PL11180000	CANISTER LID
2	PL11181000	CANISTER BASE
3	PL10358000	REAR FLANGE
4	PL10356000	CANISTER FLANGE NUT
5	PL02711000	CANISTER DRIVE
6	PL01128000	CENTRAL CANISTER CHUTE
7	PL10357000	FRONT FLANGE
8	a. ME10386000	PLATIC AUGER C/W O RING
	b. SI02705000	O RING
9	PL11182000	AGITATOR ASSEMBLY
10	PL11183000	AGITATOR FIXING NUT

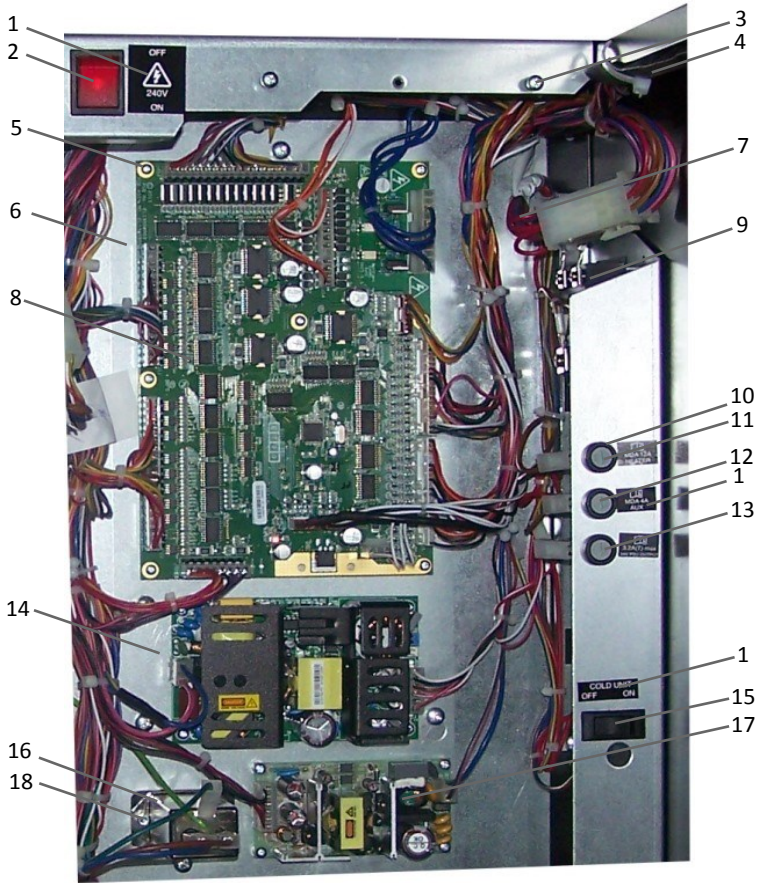
Cup Drop Assembly



Cup drop Assembly Parts List

Ref No.	Part No.	Item Description
1	ME14045000	CDU ASSEMBLY
2	ME14046000	ADJUSTMENT PIN ASSEMBLY (not fitted on new cdu assembly)
3	PL13692000	CAROUSEL PIN TOP
4	PL13843000	CUP THROAT
5	a. PL13703000	7 STACK CAROUSEL (70/73mm cup)
	b. PL13836000	6 STACK CAROUSEL (80mm cup)
6	PL13702000	CAROUSEL PLATE
7	a. PL13840000	TURRET TUBE (70/73mm cup)
	b. PL13842000	TURRET TUBE (80mm cup)
8	a. PL18393000	7 STACK TURRET LID
	b. PL13841000	6 STACK TURRET LID
9	PL01973000	M4X20 PAN HEAD SCREW
10	FA11188000	M4X35 PAN HEAD SCREW
11	FA03262000	M4 NYLOC NUT
12	FA14699000	M4X25 TAPTITE PAN HEAD SCREW
13	a. PL14475000	CUP REDUCING RING (70/73mm cup)
	b. PL14476000	CUP REDUCING RING (80mm cup)
14	MA15146290	CDU MOUNTING BRACKET
	ME14693000	CDU SETTING RING (not shown)

Power Supply Assembly



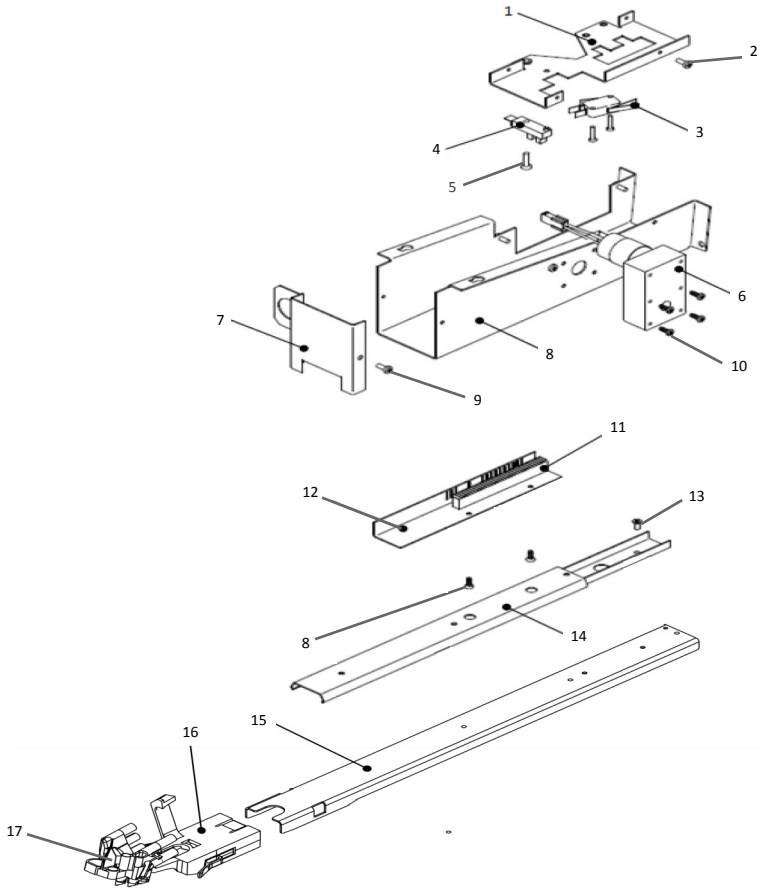
Power Supply Assembly Parts List

Ref No.	Part No.	Item Description
1	a. PR13330000	PART OF MACHINE DECAL SHEET UK
	b. PR13333000	PART OF MACHINE DECAL SHEET FRENCH
2	EL13317000	ROCKER SWITCH
3	FA10807000	M4X10 POZIPAN SCREW
4	LO13108001	MAIN LOOM
5	FA01498000	M3X6 POZI PAN REC SCREW
6	MT13077000	I/O CIRCUIT BOARD PLATE
7	a) LO13653001	PSU LOOM INSTANT/FRESH BREW
	b) LO13654001	PSU LOOM B2C
8	EL13059001	I/O BOARD
9	EL01152002	SOLID STATE RELAY
10	EL01994000	FUSE HOLDER ASSY
11	EL01995000	12AMP FUSE (heater)
12	EL01277000	4AMP ANTI SURGE FUSE (aux)
13	EL14845000	3.2AMP SLO-BLOW FUSE (psu)
14	EL14585000	SWITCH MODE 24VDC POWER SUPPLY (pcb's & components)
15	EL01146000	ON/OFF SWITCH (used when cold unit fitted)
16	EL13175000	IEC MAINS FILTER
17	EL13165000	SWITCH MODE 12VDC POWER SUPPLY (display)
18	FA11774000	M3 SELF LOCKING NYLOC NUT

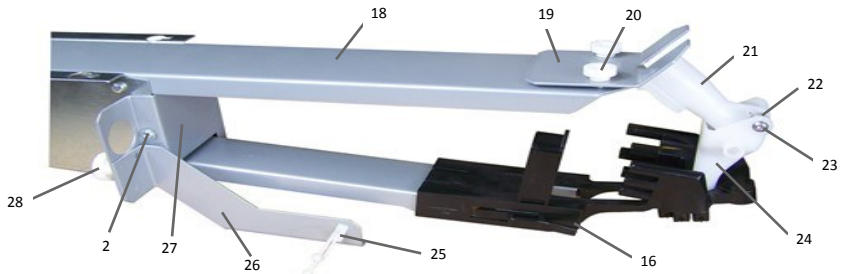
ICK & ABK EXEC KIT PARTS LIST

	CR0023181	EXEC INTREFACE PCB
	LO14337000	EXEC POWER LOOM
	LO14338000	EXEC COMMS LOOM
	ME10267000	EXEC TRANSFORMER
	FA01188000	MEDIUM CABLE TIE (4 required)
	FA03289000	M4 LOCK NUT (2 required)

Dispense Head assembly View



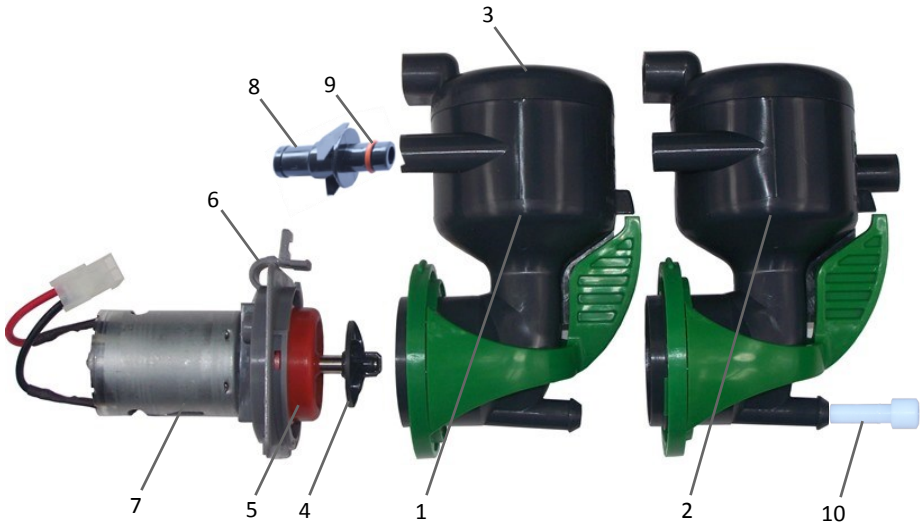
Dry Sugar Dispense Head



Dispense Head assembly Parts List

Ref No.	Part No.	Item Description
	AB DISP HEAD	CALI & COTI DISPENSE HEAD ASSEMBLY
	AB DISP HEAD SU	CALI & COTI DRY SUGAR DISPENSE HEAD ASSEMBLY
	VO DISP HEAD	ICON DISPENSE HEAD ASSEMBLY
1	MT10695000	DISPENSE HEAD CHANNEL
2	FA10807000	M4X10 TAPTITE POZIPAN SCREW
3	a) EL04920000	MICRO SWITCH
	b) MT13572000	MICRO SWITCH BRACKET (not shown)
	c) FA10203000	M3 NYLOC NUT (not shown)
4	EL10036000	OPTO SENSOR
5	FA12046000	M4X16 TAPTITE POZIPAN SCREW
6	MO10794001	MOTOR 24VDC 50RPM
7	MT10696080	DISPENSE HEAD FRONT COVER
8	MT10694000	DISPENSE HEAD BODY
9	FA04451000	M4X10 FLANGE SCREW
10	FA07683000	M4X10 THERMOPLASTIC SCREW
11	PL10035000	DISPENSE HEAD RACK MOULDING
12	MT10697000	DISPENSE HEAD CODE ANGLE
13	FA04339000	M4X10 POZI CSK SCREW
14	ME04063001	DISPENSE HEAD SLIDE
15	MT13826250	DISPENSE HEAD ARM
16	PL15289000	MOULDED DISPENSE HEAD
17	PH05501000	NOZZLE SET
18	MT13828250	DRY SUGAR DISPENSE ARM
19	MT14619250	DRY SUGAR CLAMP PLATE
20	FA04301000	M4 THUMB NUT
21	PL13349000	DRY SUGAR SPOUT FIXED
22	ME08502000	TORSION SPRING
23	FA07950000	M4X16 BUTTON HEAD SCREW
24	PL13348001	DRY SUGAR SPOUT HEAD
25	FA13683000	TWIST LOCK WITH BACKPLATE
26	MT14490340	WASTE LEVEL PROBE BRACKET
27	MT13829250	DRY SUGAR DISPENSE HEAD FRONT COVER
28	FA01416000	M5 NYLOC THUMB NUT
	LO11751000	DISPENSE HEAD LOOM (not shown)
	ME15721000	PIPE CLEANING BRUSH (not shown)

Mixing System



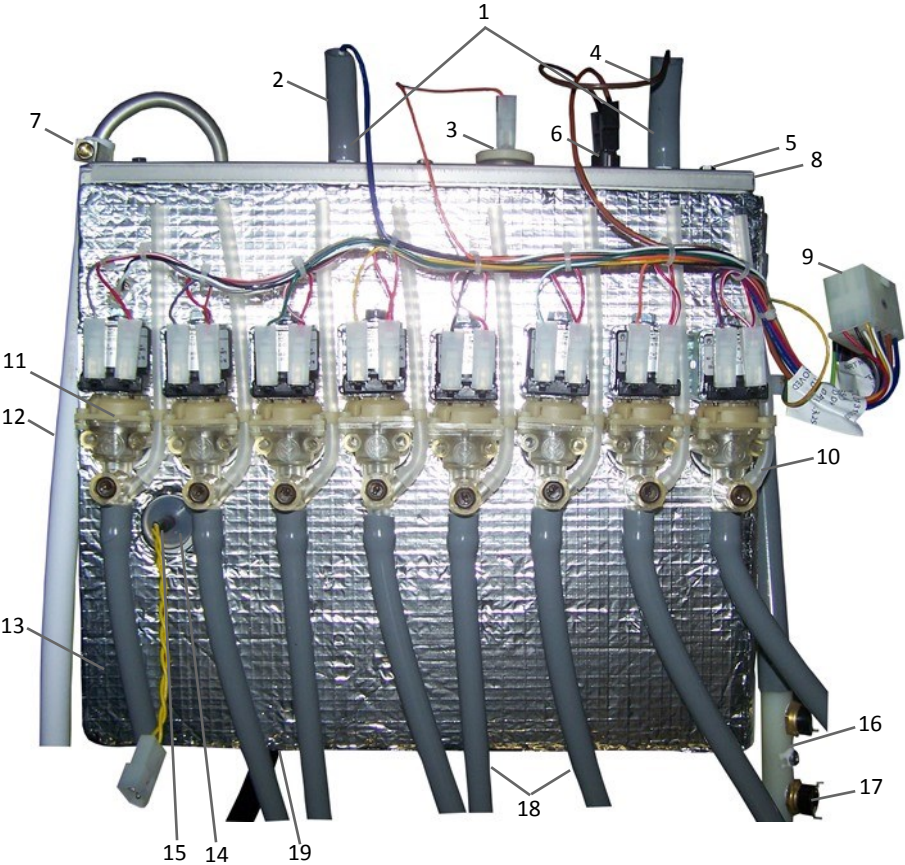
Mixing System Parts List

Ref No.	Part No.	Item Description
1	ME14043000	SINGLE INLET WHIPPER BOWL
2	ME14044000	DUAL INLET WHIPPER BOWL
3	PL13725000	STEAM TRAP
4	PL13723000	IMPELLER
5	PL13728000	WHIPPER BOWL SEAL
6	PL10802000	WIPPER MOUNTING PLATE
7	ME13729000	WHIPPER MOTOR (includes items 4,5 & 6)
8	ME14548000	BOWL ADPTOR (includes item 9)
9	ME13438000	O RING
10	C6927009	OUTLET FLOW RESTRICTOR, WHITE

Hygiene Kits

Part No.	Item Description
ABH HYG B2C	B2C HYGIENE KIT
ABH HYG B2C FBT	B2C PLUS FRESH BREW TEA HYGIENE KIT
ABH HYG DFB	DOUBLE FRESH BREW HYGIENE KIT
ABH HYG INSTANT	INSTANT HYGIENE KIT
ABH HYG SFBC	SINGLE FRESH BREW COFFEE HYGIENE KIT
ABH HYG SFBT	SINGLE FRESH BREW TEA HYGIENE KIT
VCH HYG SUGAR	DRY SUGAR HYGIENE KIT

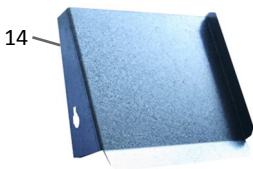
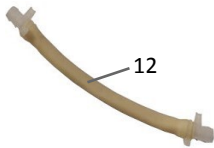
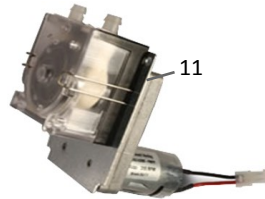
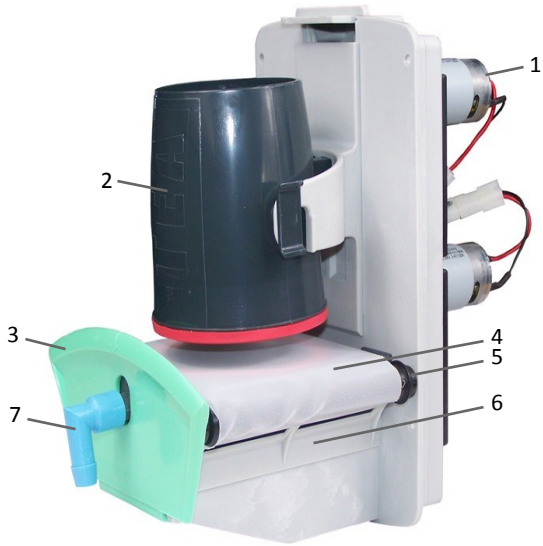
Heater Tank Assembly



Heater Tank Assembly Parts List

Ref No.	Part No.	Item Description
	BA15268000	8 PORT BOILER AND LID ASSEMBLY
1	EL11994000	ELEMENT 240VAC 2.35kW
2	SI01142960	12mm SILICONE PIPE
3	ME04550000	LEVEL PROBE ASSY
4	EL14247000	LINK LOOM
5	FA01143000	M4X10 STAINLESS SET SCREW
6	EL10954000	THERMAL CUTOUT
7	FA03227000	UNEX CLIP
8	SI10627960	HEATER LID SEAL (not shown)
9	LO13106000	BOILER LOOM
10	a) VA03377002	MULLER VALVE PORT SEAL
	b) SI08276000	PORT SEAL BLANK (not shown)
11	a) VA10148002	MULLER 24VDC DISPENSE VALVE
	b) VA01838A00	MULLER DISPENSE VALVE REPAIR KIT (not shown)
12	HO06632000	HYDRAVEND PIPE
13	BA14364000	HEATER TANK INSULATION
14	SI06340000	THERMISTOR PORT SEAL
15	EL03112000	THERMISTOR PROBE
16	ME03024001	HIGH TEMPERATURE CUTOUT HOLDER
17	EL03378000	HIGH TEMPERATURE CUTOUT
18	SI01171960	8mm SILICONE PIPE
19	FA01185000	SNAPPER CLIP (not shown)
	PL00718000	DRAIN PIPE BUNG (not shown)

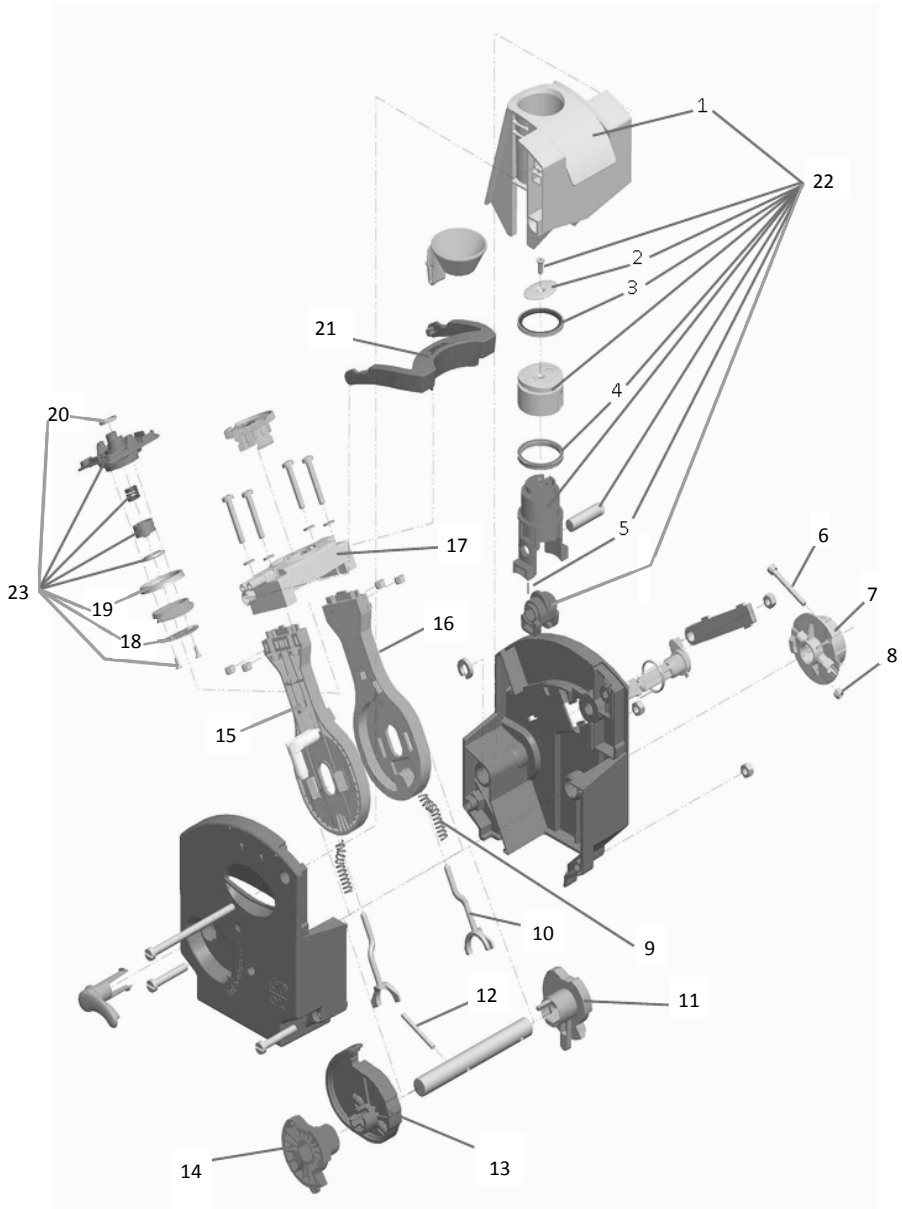
Oltre Brewer



Oltre Brewer Parts List

Ref No.	Part No.	Item Description
	ME13413001	TEA BREWER ASSY 73mm (includes items 8,9 & 10)
	ME13414001	COFFEE BREWER ASSY 83mm (includes items 8,9 & 10)
	ME13412001	COFFEE BREWER ASSY 73mm (includes items 8,9 & 10) (not shown)
1	MO13457000	MOTOR 30RPM
2	a. PL13532000	TEA CHAMBER ASSY 73mm
	b. PL13469000	COFFEE CHAMBER ASSY 83mm
	c. PL13474000	COFFEE CHAMBER ASSY 73mm
3	PL13451000	RELEASE HANDLE (common on all brewers)
4	a. ME13479000	TEA FILTER BELT
	b. ME13480000	COFFEE FILTER BELT
5	a. ME13466001	TEA CARRIAGE ASSY 73mm
	b. ME13463001	COFFEE CARRIAGE ASSY 83mm
	c. ME13465001	COFFEE CARRIAGE ASSY 73mm
6	PL13450000	CLEARING RIBBON (common on all brewers)
7	a. PL13477000	TEA OUTLET SPOUT (blue)
	b. PL13478000	COFFEE OUTLET SPOUT (yellow)
8	a. PL13456000	BOWL ADAPTOR
	b. ME13438000	O-RING
9	PL13454000	STEAM TRAP
10	PL13455000	MIXING BOWL
11	ME13592001	PERISTALTIC PUMP 24VDC
12	PA13650000	PERISTALTIC PUMP TUBE ASSY
13	LO13296000	BREWER LOOM
14	MT14400000	R/H WASTE CHUTE
15	ME15106000	REPLACEMENT DRIVE ROLLER KIT

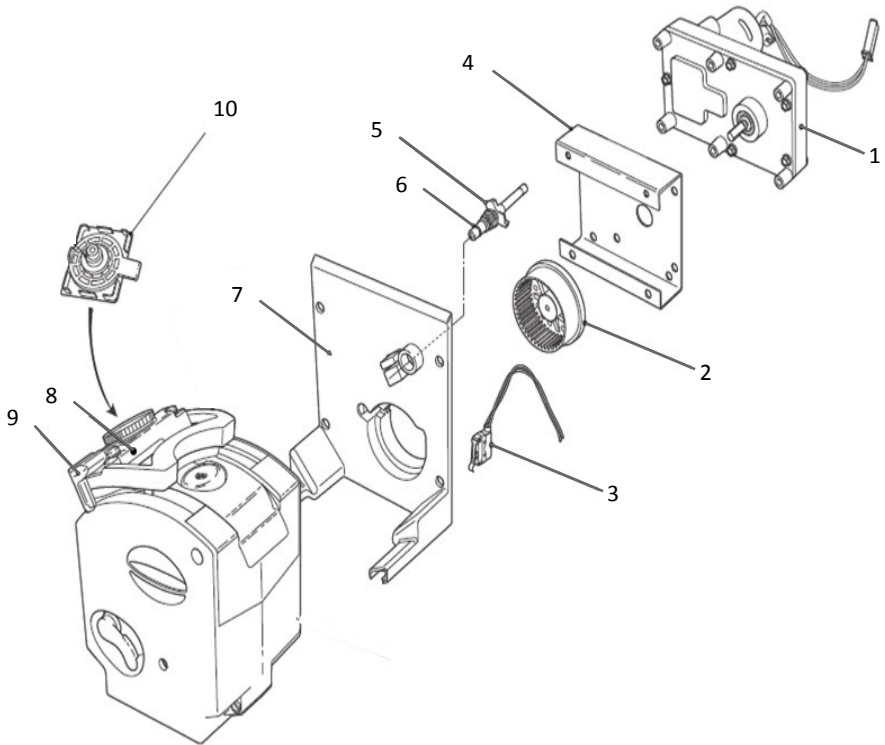
CoEx® Brewer



CoEx® Brewer Parts List

Ref No.	Part No.	Item Description
	ME10190000	CoEx® BREWER (does not include filter head)
1	PL10588000	CYLINDER
2	ME10589000	LOWER PISTON FILTER SCREEN
3	ME10590000	LOWER PISTON SCRPERING
4	ME10591000	LOWER PISTON U CUP RING
5	FA13247000	ROLL PIN
6	FA12073000	M4X40MM CAP HEAD SCREW
7	PL13257000	BREWER MOTOR COUPLING
8	FA11775000	M4 NYLOCK NUT
9	ME13249000	PRESSURE SPRING
10	PL13250000	SPRING HOLDER
11	PL13251000	BACKSIDE CURVE CAM
12	FA13252000	4X40 ROLL PIN
13	PL13253000	PISTON CURVE CAM
14	PL13254000	FRONT SIDE CURVE CAM
15	PL13255000	FRONT SWING ARM
16	PL13256000	REAR SWING ARM
17	PL13226000	BREWER HEAD
18	ME10593000	FILTER SCREEN
19	ME10594000	UPPER U CUP RING
20	ME10596000	FILTER PLATE QUADRING
21	PL11622000	WIPER ARM
22	ME10592000	LOWER PISTON ASSEMBLY
23	ME14627000	FILTER HEAD

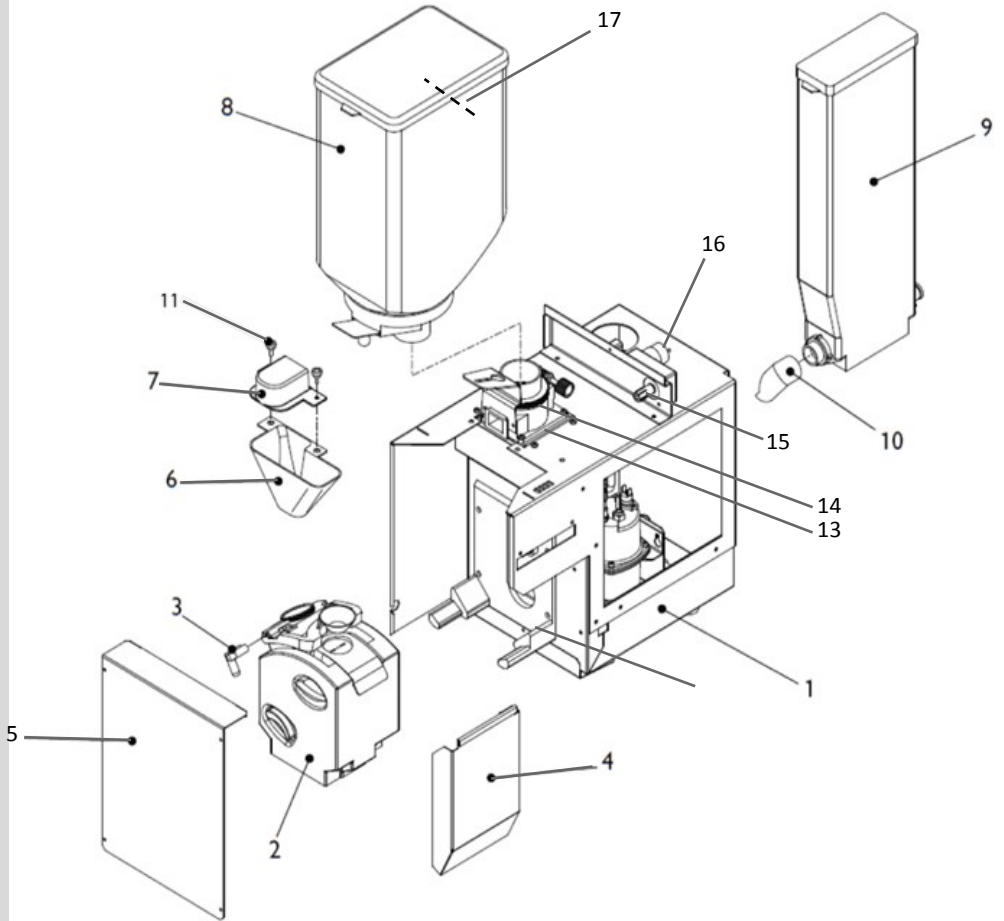
CoEx® Brewer Assembly



CoEx® Brewer Assembly Parts List

Ref No.	Part No.	Item Description
1	MO11679001	BREWER MOTOR 24VDC
2	ME10597000	DRIVE WHEEL
3	a) EL10903000	MICRO SWITCH
	b) EL10587000	MICRO SWITCH LEVER
4	MT10978000	BREWER MOTOR MOUNTING BRKT
5	ME10763000	WATER INLET C/W O RING
6	ME10595000	WATER INLET O RING
7	ME10762000	BREWER MOUNTING BRKT
8	PL13226000	BREWER HEAD
9	PL10283000	COFFEE OUTLET SPOUT (not used on espresso machine)
10	ME14627000	FILTER HEAD

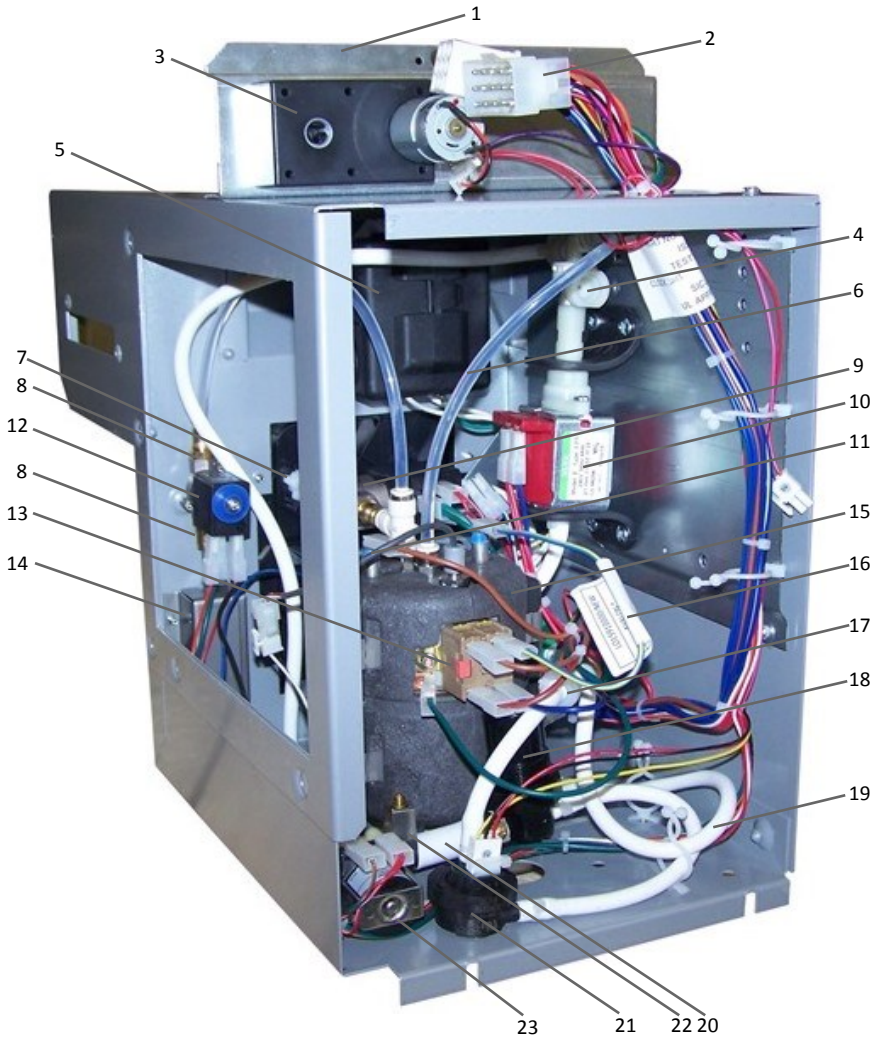
CoEx® Module Assembly



CoEx® Module Assembly Parts List

Ref No.	Part No.	Item Description
1	SEE PAGE 57	ESPRESSO MODULE
2	SEE PAGE 53	CoEx® BREWER
3	PL10283000	CoEx® BREWER SPOUT (not used on espresso machine)
4	MT13323000	LONG SIDE TRAY
5	MT10847000	BREWER COVER
6	PL10580000	GRINDER CHUTE
7	PL10282000	GRINDER CHUTE COVER
8	PL10792000	BEAN CANISTER C/W LID
9	PL13971000	FRESH BREW CANISTER
10	PL01442000	FRESH BREW CANISTER CHUTE
11	FA07111000	M4X10 THUMBSCREW
12	MT11655000	DRAIN COVER
13	MT10966000	GRINDER MOUNTING BRACKET
14	MO10108001	GRINDER MOTOR ASSEMBLY
15	PL13023000	INGREDIENT MOTOR SPIGOT
16	MO10152001	INGREDIENT MOTOR 24VDC 130RPM
17	a) MT11252000	BEAN CANISTER SUPPORT RAIL
	b) FA02431000	M4X8 POZI PAN ST/STL SCREW
	c) FA02154000	M4 ST/STL FULL NUT

CoEx® Module Assembly Continued



CoEx® Module Assembly Parts List Continued

Ref No.	Part No.	Item Description
1	MT10775000	MOTOR BRKT
2	LO10782001	LOOM ESPRESSO MODULE
3	MO10152001	INGREDIENT MOTOR 24VDC 130RPM
4	VA16392000	12BAR BYPASS VALVE
5	MO10108001	GRINDER & MOTOR ASSY 230V
6	HO10245000	6mm TUBE
7	ME10763000	WATER CONNECTION
8	ME16398000	MALE STUD COUPLING
9	VA14621001	3 WAY VALVE ASSEMBLY
10	ME10047000	PUMP 240VAC
11	EL10228002	THERMISTOR
12	VA10042001	VALVE 2 WAY ESPRESSO
13	ME16423000	THERMAL CUTOUT
14	VA10044000	3BAR PRESSURE VALVE
15	BA16229000	STAINLESS STEEL BOILER (see page 59 for kit and breakdown)
16	LO15910000	THERMAL CUTOUT NEUTRAL LOOM
17	VA14521000	3/16" NON RETURN VALVE
18	VA10048000	PRESSURE REDUCING VALVE
19	SI10538000	8MM SILICONE TUBE
20	HO06632000	HYDROVEND 10 HOSE
21	ME10834000	FLOW METER
22	FA03227000	UNEX CLIP
23	VA13245000	INLET VALVE 24VDC
	ME07308000	GRINDER BLADES (not shown)

Complete Espresso Module Part Numbers

Part No.	Item Description
SSK B2C S PUMP	CoEx® MODULE (espresso single pump)
SSK RAG S PUMP	CoEx® MODULE (roast & ground single pump)

Stainless Steel Espresso Boiler



Stainless Steel Espresso Boiler Parts List

Ref No.	Part No.	Item Description
1	BA16229000	STAINLESS STEEL BOILER ASSEMBLY (includes all parts shown in picture)
2	EL10228002	THERMISTER
3	ME16423000	HIGH TEMPERATURE CUT OUT

Stainless Steel Boiler Retro Fit Kit

SSK RETROFIT

STAINLESS STEEL BOILER RETROFIT KIT (includes all parts needed to change from old style to new style boiler)

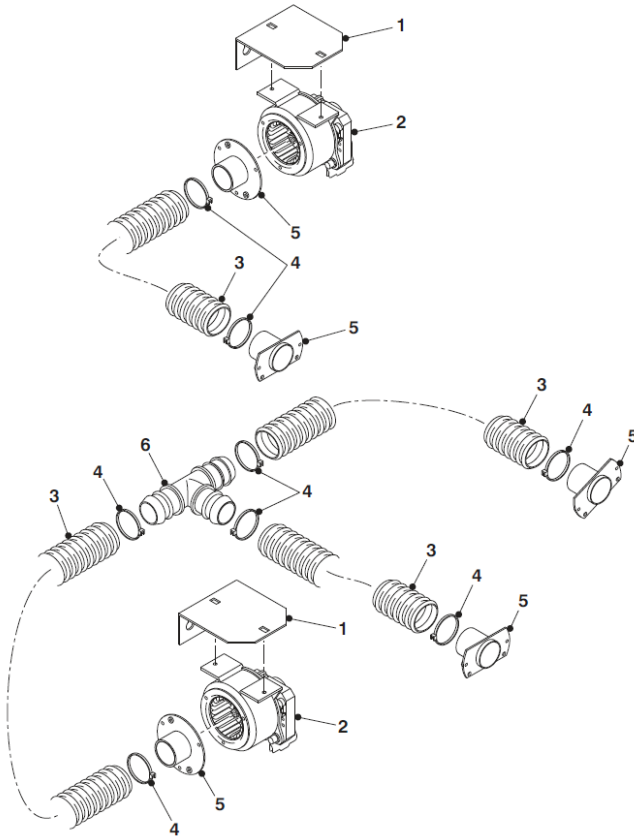
Old Style Espresso Boiler



Old Style Espresso Boiler Parts List

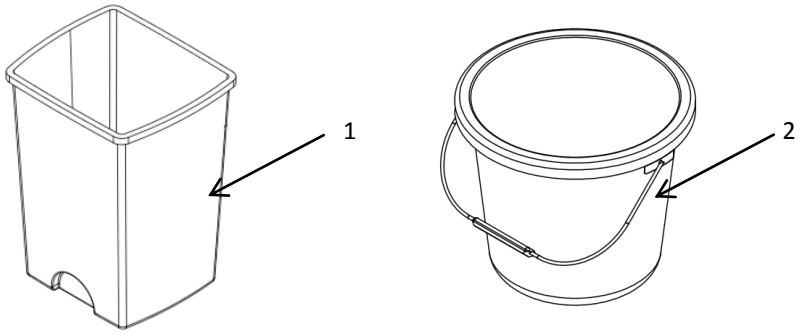
Ref No.	Part No.	Item Description
1	ME10212000	COUPLING MALE STUD
2	EL10954000	HIGH TEMPERATURE CUT OUT
3	EL10228002	THERMISTOR HI PRESSURE
4	ME10293000	ELEMENT SEAL
5	ME11186000	COUPLING BLANKING
6	ME10207000	COUPLING MALE BRANCH

Extract System



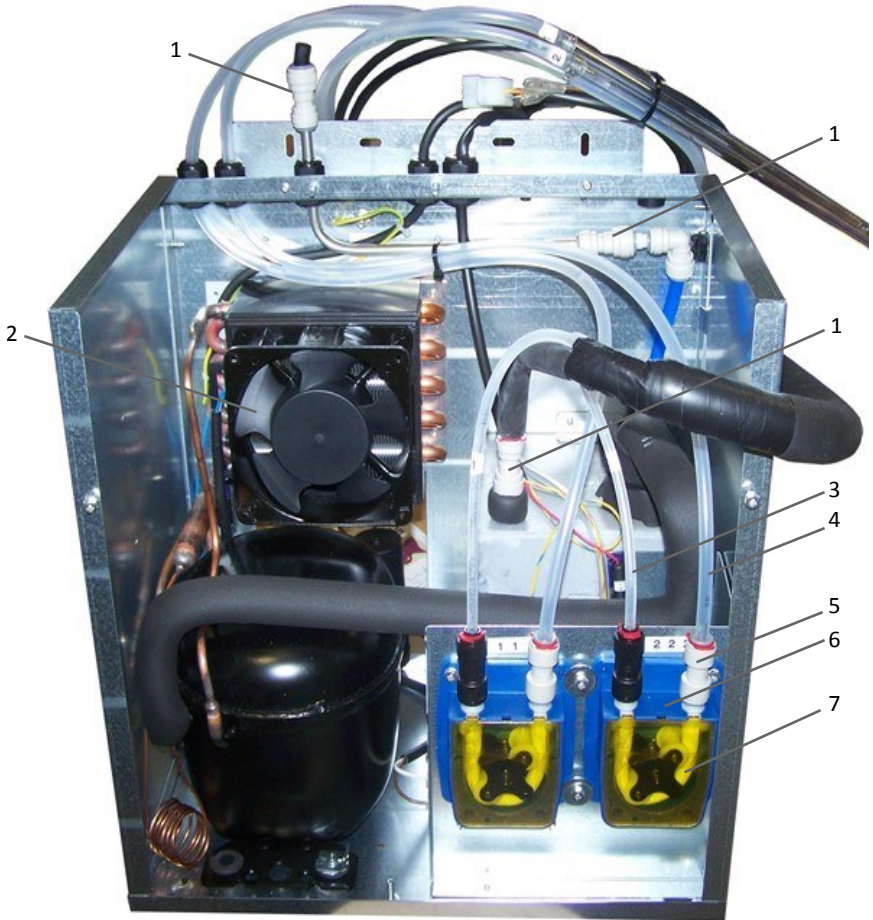
Ref No.	Part No.	Item Description
1	MT04132000	MOUNTING BRACKET
2	ME10182000	EXTRACT FAN 230VAC
3	HO01139000	HOSE
4	FA01188000	CABLE TIE
5	PL03083000	EXTRACT HOSE ADAPTOR
6	PL04165000	T PIECE

Waste Buckets



Ref No.	Part No.	Item Description
1	PL06672000	Bucket 24L FB Waste Grey
2	PL01172000	Silver Bucket 10L

Still Cold Unit



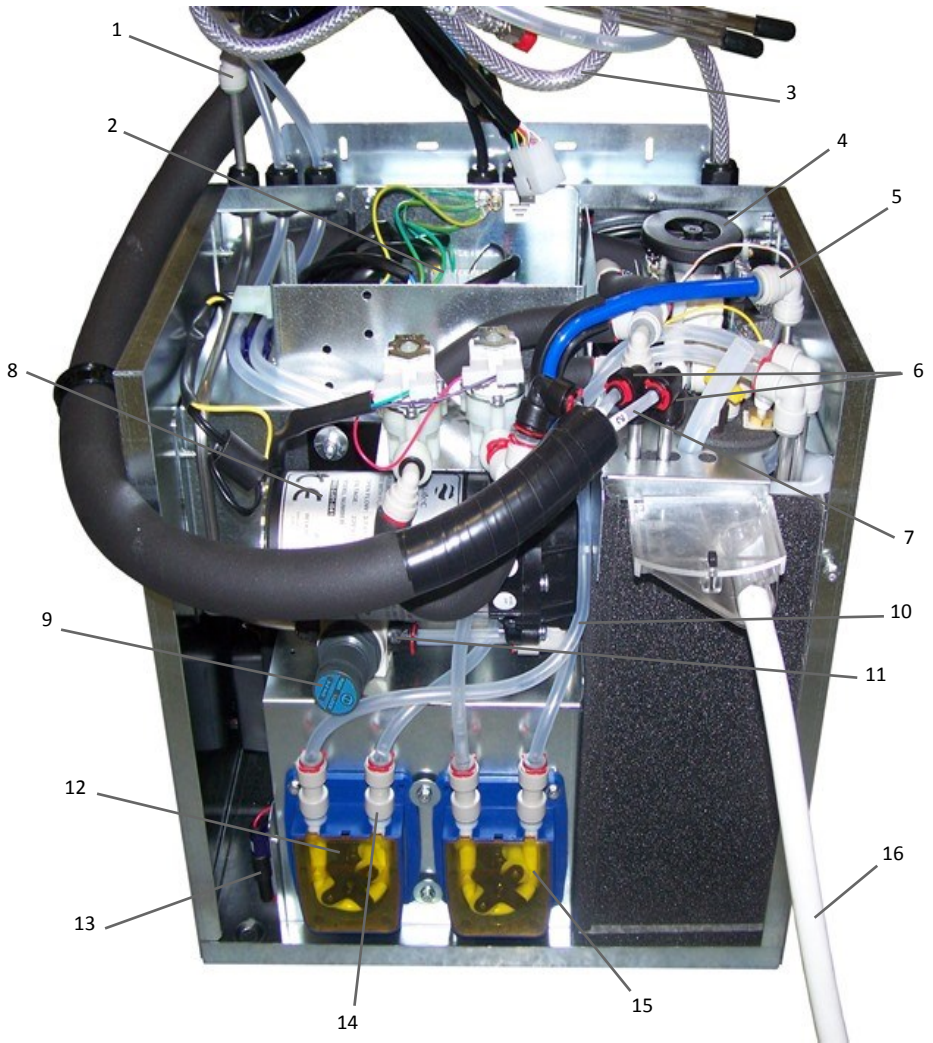
Still Cold Unit Parts List

Ref No.	Part No.	Item Description
	ME11089000	2 SYRUP STILL 106 DRY CHILLER
	ME11697000	NO SYRUP STILL 114 CHILLER
1	C3638148	3/8"x3/8" JOHN GUEST CONNECTOR
2	ME03278000	CONDENSER FAN (also used on carbonated cold unit)
3	HO04989000	6mm WATER DISPENSE TUBE
4	HO04997000	8mm SYRUP DISPENSE TUBE
5	PL12074000	5/16"X5/16" JOHN GUEST CONNECTOR
6	ME11912000	PERISTALTIC SYRUP PUMP
7	ME11913000	PERISTALTIC SYRUP PUMP TUBE
	EL01155000	6AMP MAINS FILTER (not shown)

Note: Below kits contain all parts needed to change from hot only machine to chosen cold specification

Part No.	Item Description
ICC CARB 2S UK	ICON CARBONATED 2 SYRUP KIT
ICC STILL 2S UK	ICON STILL 2 SYRUP KIT
ACC STILL NS UK	ICON STILL NO SYRUP KIT
CAC CARB 2S	CALI CARB 2 SYRUP
CAC STILL 2S	CALI STILL 2 SYRUP
CAC STILL NS	CALI STILL NO SYRUP
ACC CARB 2S	COTI CARB 2 SYRUP
ACC STILL 2S	COTI STILL 2 SYRUP
ACC STILL NS	COTI STILL NO SYRUP

Carbonated Cold Unit



Carbonated Cold Unit Parts List

Ref No.	Part No.	Item Description
	ME11087001	CARBONATED 2 SYRUP COLD UNIT
1	C3638148	3/8"x3/8" JOHN GUEST CONNECTOR
2	EL11915000	CONTROL PCB
3	VA07921000	CO2 PIPE ASSEMBLY
4	ME07238000	AGITATOR MOTOR ASSEMBLY
5	HO06729000	3/8"x5/16" JOHN GUEST ELBOW
6	HO06730000	5/16"X1/4" JOHN GUEST ELBOW
7	HO04989000	6mm CARBONATED WATER DISPENSE TUBE
8	ME10857000	AQUATECH WATER PUMP
9	ME03072000	WATER PRESSURE REGULATOR
10	HO04997000	8MM SYRUP DISPENSE TUBE
11	PL07182000	3/8"X10mm JOUHN GUEST REDUCER
12	ME11912000	PERISTALTIC SYRUP PUMP
13	D80492549	1AMP FUSE
14	PL12074000	5/16"X5/16" JOHN GUEST CONNECTOR
15	ME11913000	PERISTALTIC SYRUP PUMP TUBE
16	SI01142960	16mm O/D SILCONE TUBE
	ME03278000	CONDENSER FAN (also used on still cold unit)
	ME06734000	CO2 REGULATOR (not shown)
	EL01155000	6AMP MAINS FILTER (not shown)
	ME02914000	CO2 REGULATOR SEAL (not shown)

Additional Fridge Components

Part No.	Item Description	Part No.
VA11911000	DISPENSE VALVE 24VDC	
ME11912000	SYRUP PUMP ASSEMBLY 24VDC	
ME11913000	SYRUP PUMP TUBE	
ME03072000	WATER PRESSURE REGULATOR	
ME10857000	AQUATEC PUMP	
ME07238000	AGITATOR ASSEMBLY	
ME03278000	FAN UNIT	
EL11915000	FRIDGE PCB MK4	
VA07921000	CO2 CARB PIPE ASSEMBLY	

Additional Fridge Parts List

Part No.	Item Description
HO04997000	CARB SYRUP DISPENSE PIPE
HO04989000	CARB WATER DISPENSE PIPE
PL11004000	FILLER BATH ASSEMBLY
PL08703000	3/8" TUBE TO HOSE STEM
PL08702000	3/8" X 5/16" JOHN GUEST ELBOW
PL12074000	5/16" STRAIGHT EQUAL CONNECTOR
HO06730000	5/16" X 1/4" JOHN GUEST ELBOW
C3638147	5/16" X 3/8" STRAIGHT CONNECTOR
EL08784000	COMPRESSOR START CAPACITOR
EL08785000	COMPRESSOR START RELAY
EL08786000	COMPRESSOR THERMAL CUTOUT
D80492549	20mm 1AMP FUSE
VA07921000	CO2 CARBONATOR PIPE ASSEMBLY
ME06734000	CO2 REGULATOR
ME02914000	CO2 REGULATOR SEAL
ME13118000	DISPENSE HARNESS
ME08729000	7mm - 8.7mm OETIKER CLIP
ME08730000	8.8mm to 10.5mm OETIKER CLIP
EL01155000	6 AMP MAINS FILTER
MT13548000	MAINS FILTER MOUNTING PLATE
MT13549000	MAINS FILTER COVER

Fastener Parts List

Part No.	Item Description
FA10203000	M3 NYLOC NUT
FA01499000	M3 PLAIN NUT
FA01498000	M3 X 6 POZI PAN SCREW
FA10205000	M3 X 10 POZI PAN SCREW
FA05206000	M3 X 16 CSK SCREW
FA01503000	M3 X 16 POZI PAN SCREW
FA04422000	M4 SHAKEPROOF WASHER
FA01501000	M4 PLAIN WASHER
FA01506000	M4 HEX FULL NUT
FA03262000	M4 NYLOC NUT
FA03289000	M4 ST/STL NYLOC NUT
FA01502000	M4 X 6 POZI PAN SCREW
FA02431000	M4 X 8 ST/STL POZI PAN SCREW
FA10807000	M4 X 10 TAPTITE SCREW
FA01504000	M4 X 10 POZI PAN SCREW
FA01143000	M4 X 10 ST/STL SET SCREW
FA07111000	M4 X 10 THUMB SCREW
FA04340000	M4 X 16 POZI PAN SCREW
FA02029000	M4 X 20 POZI PAN SCREW
FA04301000	M4 SKIFFY NUT

Fastener Parts List

Part No.	Item Description
FA01507000	M5 PLAIN WASHER
FA01555000	M5 ST/STL SHAKEPROOF WASHER
FA01508000	M5 FULL NUT
FA01683000	M5 NYLOC
FA13305000	M5 FLANGED NYLOC NUT
FA01509000	M5 X 10 POZI PAN SCREW
FA04431000	M5 X 10 TAPTITE SCREW
FA05210000	M5 X 10 CHEESE HEAD SCREW
FA01682000	M5 X 16 POZI PAN SCREW
FA10863000	M5 X 25 CARRIAGE BOLT
FA01416000	M5 SKIFFY THUMB NUT
FA01561000	1/4 ZP PLAIN WASHER
FA01487000	1/4" FEMALE CONNECTOR
FA01488000	FEMALE SPADE CONNECTOR BOOT
FA01489000	1/4" MALE SPADE CONNECTOR
FA14890000	MALE SPADE CONNECTOR BOOT
FA01188000	MEDIUM CABLE TIE
FA01860000	SMALL CABLE TIE
FA01189000	CABLE TIE HOLDER
FA10222000	PCB STAND OFF
FA03227000	19mm UNEX CLIP

Telemetry And Radio Unit Parts

Part No.	Item Description
CR0006673	TELEMETRY UNIT
PA15175000	3G GSM RADIO UNIT
SWCAN00000004	EXTERNAL ANTENNA
CR0006635	MDB DEX HARNESS (male)
CR0012945	MDB PANEL MOUNT HARNESS (female)
CR0006822	USB CABLE

Exec Conversion Kit Parts List

Part No.	Item Description
CR0023181	EXEC COIN MECH PCB
LO14337000	LOOM EXEC MECH POWER
LO14338000	LOOM EXEC MECH COMMS
ME10267000	EXEC MECH TRANSFORMER
FA01188000	CABLE TIE (4 required)
FA03289000	M4 HEX LOCK NUT (2 required)



Visit the **Tech Zone** on our website to find this and other manuals and technical information for the Crane range
www.cranems.co.uk/

CRANE **MERCHANDISING SYSTEMS**

Pipsmore Park, Bumpers Farm Industrial Estate
Chippenham, Wiltshire, SN14 6NQ
Tel: +44 (0) 1249 444807 Fax: +44 (0) 1249 44819
Email: sales@cranems.co.uk
Website: www.cranems.co.uk